

ST 110 200 8882



- 235mm projection
- pivotable spout 360°
- air-enriched flow and spray flow
- height of mixer 370 mm
- test
- height up to aerator 212 mm
- hole diameter spout 35 mm
- hole diameter valve 32 mm
- profi spray hole diameter 30mm
- automatic spout/shower diverter
- sprayface with anti-scaling system
- max. flow 5.7 l/min at 3 bar flow pressure
- suspended spray with stainless steel spring (can be pivoted and locked)
- lead-free
- This product can help a building meet the requirements of Green Building Rating Systems, e.g. LEED®, BREEAM®, DGNB

### Individual components of this set

You need the following components for this set



1x

20 815 882-00 0010



1x

27 789 970-00 0010



## TARA Three-hole mixer with profi spray set - Chrome

---

TARA

ST 110 200 8882

ST 110 200 8882



- 235mm projection
- pivotable spout 360°
- air-enriched flow
- height of mixer 370 mm
- height up to aerator 212 mm
- hole diameter spout 35 mm
- hole diameter valve 32 mm
- max. flow 5.7 l/min at 3 bar flow pressure
- lead-free
- This product can help a building meet the requirements of Green Building Rating Systems, e.g. LEED®, BREEAM®, DGNB

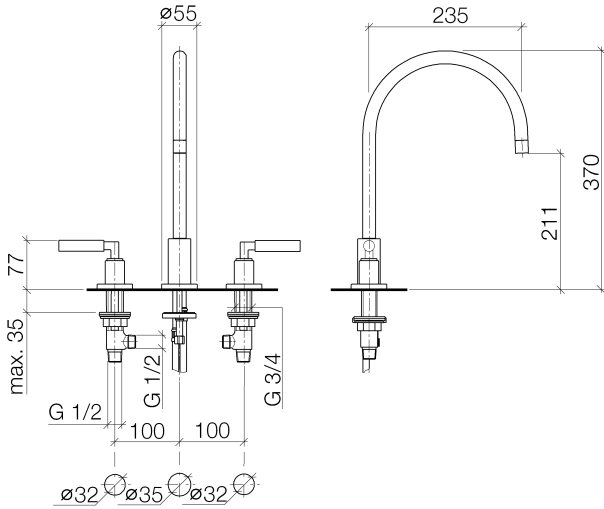
Recommended miscellaneous

---

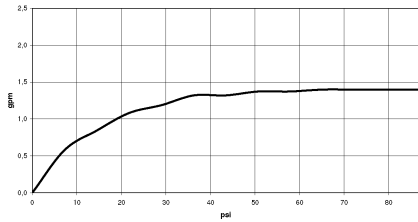
**AIR SWITCH Control button - Chrome** 10 713 970-00



ST 110 200 8882



**Flow rate chart**



**Codes & Standards**

|                    |                                 |  |              |
|--------------------|---------------------------------|--|--------------|
| ADA                | ASME<br>A112.18.1/CSA<br>B125.1 | California Energy<br>Commission<br>(CEC) | NSF/ANSI 372 |
| NSF/ANSI/CAN<br>61 |                                 |  |              |

**Certificates**

IAPMO\_N-4976. IAPMO\_4976 (6).



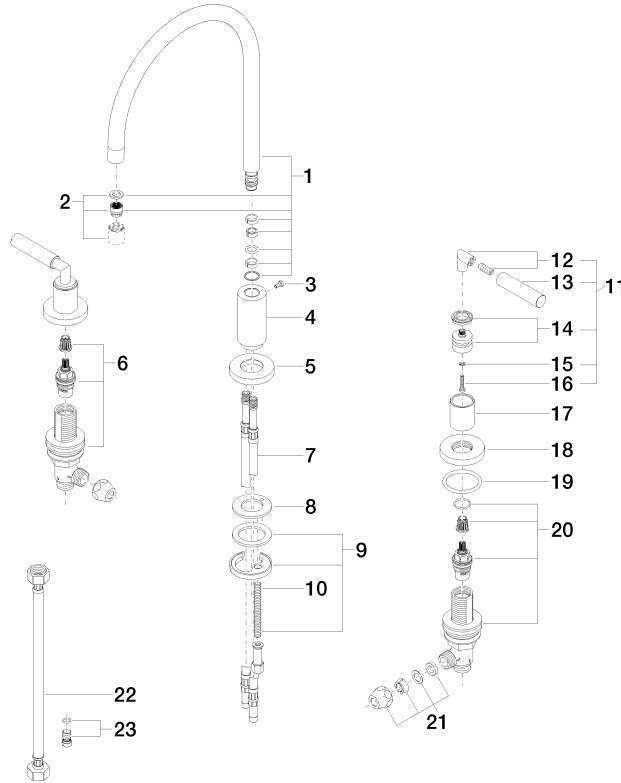
## TARA Three-hole mixer with profi spray set - Chrome

---

TARA

ST 110 200 8882

ST 110 200 8882



Spare parts list

| No.  | Item Number        | Name                                      | Quantity used | Delivery time |
|--|--------------------|---|---------------|---------------|
| 1  | 90 28 22 226 02-00 | spout                                     | 1             | 10            |
| 2  | 90 23 01 028 00-00 | aerator                                   | 1             | 10            |
| 3  | 09 30 30 057 90    | screw                                     | 1             | 2             |
| 4  | 09 11 10 088 10-00 | connection                                | 1             | 10            |
| 5  | 09 28 10 140-00    | ring                                      | 1             | 10            |
| 6  | 90 17 11 040 51 90 | side panel                                | 1             | 2             |
| 7  | 04 30 04 064 00 90 | hose                                      | 2             | 60            |
| 8  | 09 14 05 047 90    | seal                                      | 1             | 2             |
| 9  | 04 30 11 038 00 90 | fixing set                                | 1             | 2             |
| 10   | 09 31 11 011 90    | pin                                       | 1             | 2             |
| 11   | 04 20 88 052 00-00 | handle                                    | 2             | 10            |
| 12   | 04 18 20 022 00-00 | angle                                     | 2             | 10            |
| 13   | 09 20 88 052-00    | handle                                    | 2             | 10            |
| 14   | 90 12 12 007 00-00 | base                                      | 2             | 10            |
| 15   | 90 30 11 029 00 90 | disc                                      | 2             | 2             |
| 16   | 90 30 30 075 00 90 | screw                                     | 2             | 2             |
| 17   | 09 21 02 140-00    | sleeve                                    | 2             | 10            |
| 18   | 09 27 89 105-00    | rosette                                   | 2             | 10            |
| 19   | 90 14 10 043 00 90 | seal                                      | 2             | 2             |
| 20   | 90 17 11 040 50 90 | side panel                                | 1             | 2             |
| 21   | 90 23 30 040 00-00 | threaded connector                        | 2             | 10            |
| 22   | 12 501 970 90      | High pressure hose 1/2" x 1/2" x 300 mm - | 2             | -             |
| Spare part can no longer be ordered, please order the replacement item |                    |   |               |               |
| 23   | 04 31 20 046 10 92 | set                                       | 1             | 2             |

ST 110 200 8882



Fits: ELIO, TARA, TARA ULTRA

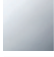
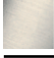




- spray flow
- automatic diverter for spout/Profi spray set
- height of mixer 665 mm
- individual rosette diameter 55mm
- profi spray hole diameter 30mm
- sprayface with anti-scaling system
- suspended spray with stainless steel spring (can be pivoted and locked)
- lead-free

The profi spray can be installed either with or without a rosette

Can only be combined with 32800790, 33826888, 32815888, 20815892, 33826875.

Intrinsic protection against back flow.

Button has to be pressed while using.

|  |                       |                    |
|--|-----------------------|--------------------|
|  | Chrome                | 27 789 970-00 0010 |
|  | Brushed Platinum      | 27 789 970-06 0010 |
|  | Platinum              | 27 789 970-08 0010 |
|  | Dark Chrome           | 27 789 970-19 0010 |
|  | Brushed Chrome        | 27 789 970-93 0010 |
|  | Brushed Dark Platinum | 27 789 970-99 0010 |



## TARA Three-hole mixer with profi spray set - Chrome

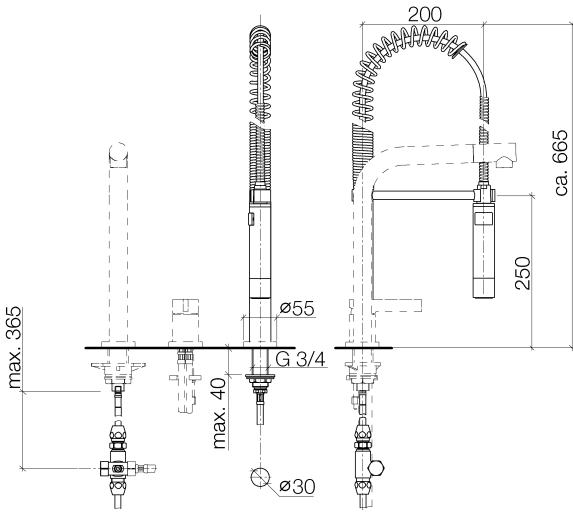
---

TARA

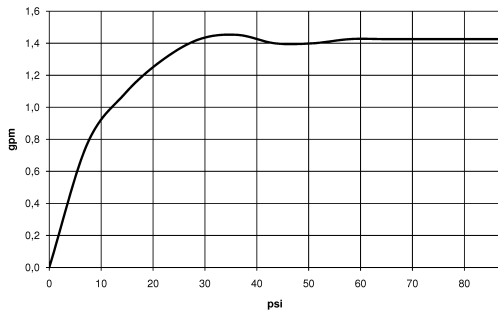
ST 110 200 8882



ST 110 200 8882



**Flow rate chart**



**Codes & Standards**

NSF/ANSI 372

**Certificates**

IAPMO\_6397.



## TARA Three-hole mixer with profi spray set - Chrome

---

TARA

ST 110 200 8882

