

VAIA Two-hole bridge mixer with rinsing spray set - Brushed Champagne (22kt Gold)

VAIA

ST 110 202 2809

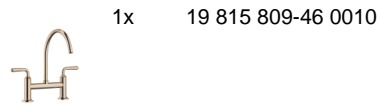
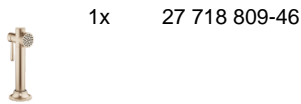


- 241mm projection
- pivotable spout 360°
- air-enriched flow and spray flow
- automatic spout/shower diverter
- height of mixer 354 mm
- height up to aerator 241 mm
- hole diameter rinsing spray 32mm
- 2 x pressure hose with 3/8" cap nut
- fabric braided hose 1500 mm
- sprayface with anti-scaling system
- max. flow 5.6 l/min at 3 bar flow pressure
- lead-free
- This product can help a building meet the requirements of Green Building Rating Systems, e.g. LEED®, BREEAM®, DGNB

	Brushed Champagne (22kt Gold)	ST 110 202 2809-46 0010
	Chrome	ST 110 202 2809-00 0010
	Brushed Platinum	ST 110 202 2809-06 0010
	Platinum	ST 110 202 2809-08 0010
	Durabrand (23kt Gold)	ST 110 202 2809-09 0010
	Dark Chrome	ST 110 202 2809-19 0010
	Brushed Durabrand (23kt Gold)	ST 110 202 2809-28 0010
	Matte Black	ST 110 202 2809-33 0010
	Champagne (22kt Gold)	ST 110 202 2809-47 0010
	Brushed Chrome	ST 110 202 2809-93 0010
	Brushed Dark Platinum	ST 110 202 2809-99 0010

Individual components of this set

You need the following components for this set





VAIA Two-hole bridge mixer with rinsing spray set - Brushed Champagne (22kt Gold)

VAIA

ST 110 202 2809

ST 110 202 2809



- with round rosette
- spray flow
- automatic spout/shower diverter
- height of mixer 171 mm
- hole diameter rinsing spray 32mm
- fabric braided hose 1500 mm
- sprayface with anti-scaling system
- lead-free
- This product can help a building meet the requirements of Green Building Rating Systems, e.g. LEED®, BREEAM®, DGNB

Can only be combined with 33810809, 33826809, 19815809, 19825809.

Intrinsic protection against back flow.

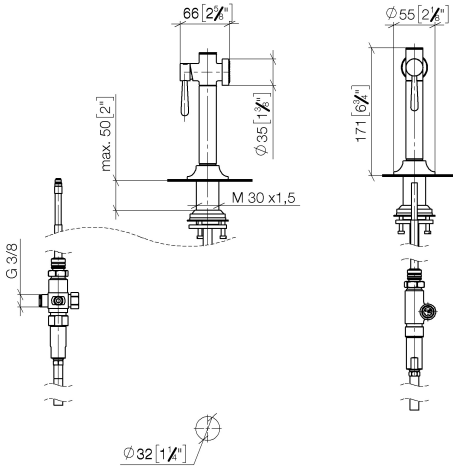
Residual water may emerge from the spray after closing.

Operating unit can be positioned freely.

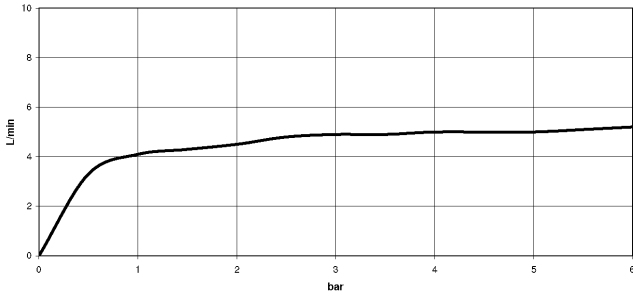
Button has to be pressed while using.

	Brushed Champagne (22kt Gold)	27 718 809-46
	Chrome	27 718 809-00
	Brushed Platinum	27 718 809-06
	Platinum	27 718 809-08
	Durabross (23kt Gold)	27 718 809-09
	Dark Chrome	27 718 809-19
	Brushed Durabross (23kt Gold)	27 718 809-28
	Matte Black	27 718 809-33
	Champagne (22kt Gold)	27 718 809-47
	Brushed Chrome	27 718 809-93
	Brushed Dark Platinum	27 718 809-99

ST 110 202 2800
mm [inches]



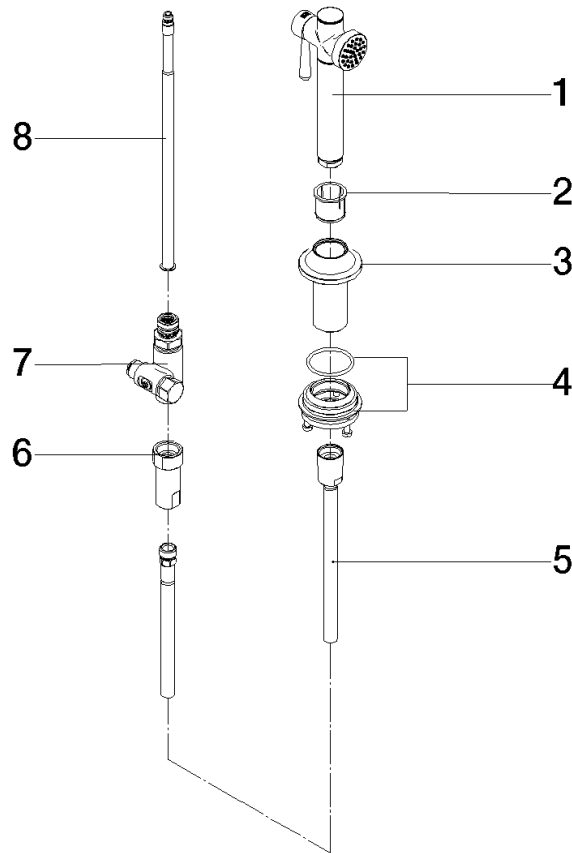
Flow rate chart



Certificates

LGA_38634.

ST 110 202 2809
Parts for other
finishes can be found
here: Chrome



Spare parts list

No.	Item Number	Name	Quantity used	Delivery time
1	90 12 11 096 12-46	shower	1	-
Spare part can no longer be ordered, please order the replacement item				
2	90 18 40 085 00 90	sleeve	1	2
3	90 30 01 142 00-46	shaft	1	-
Spare part can no longer be ordered, please order the replacement item				
4	04 23 10 047 00 92	fixing set	1	60
5	90 30 02 062 00-46	hose	1	-
Spare part can no longer be ordered, please order the replacement item				
6	90 24 03 241 00 90	nipple	1	2
7	90 17 09 046 12 90	diverter	1	2
8	90 28 20 068 00 90	connection	1	2

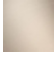
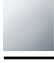






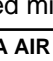
VAIA Two-hole bridge mixer with rinsing spray set - Brushed Champagne (22kt Gold)

VAIA

ST 110 202 2809



- 241mm projection
- pivotable spout 360°
- air-enriched flow
- max. flow 5.7 l/min at 3 bar flow pressure
- lead-free
- This product can help a building meet the requirements of Green Building Rating Systems, e.g. LEED®, BREEAM®, DGNB

	Brushed Champagne (22kt Gold)	19 815 809-46 0010
	Chrome	19 815 809-00 0010
	Brushed Platinum	19 815 809-06 0010
	Platinum	19 815 809-08 0010
	Durabrand (23kt Gold)	19 815 809-09 0010
	Dark Chrome	19 815 809-19 0010
	Brushed Durabrand (23kt Gold)	19 815 809-28 0010
	Matte Black	19 815 809-33 0010
	Champagne (22kt Gold)	19 815 809-47 0010
	Brushed Chrome	19 815 809-93 0010
	Brushed Dark Platinum	19 815 809-99 0010

Recommended miscellaneous

VAIA Dispenser with rosette - Brushed Champagne (22kt Gold) 82 434 809-46



Recommended miscellaneous

VAIA AIR SWITCH Control button - Brushed Champagne (22kt Gold) 10 713 809-46



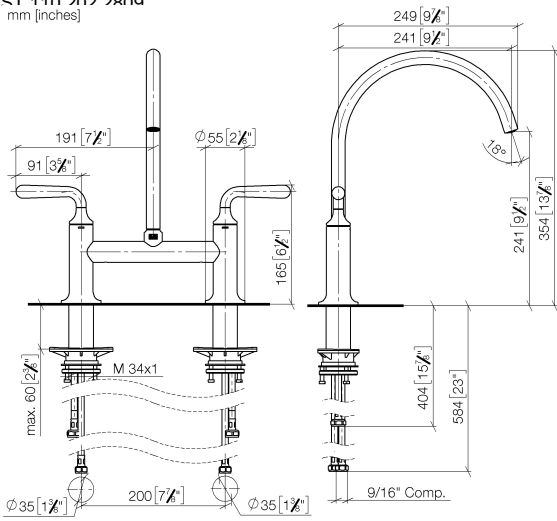


VAIA Two-hole bridge mixer with rinsing spray set - Brushed Champagne (22kt Gold)

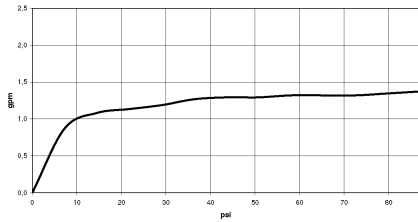
VAIA

ST 110 202 2809

ST 110 202 2R00
mm [inches]



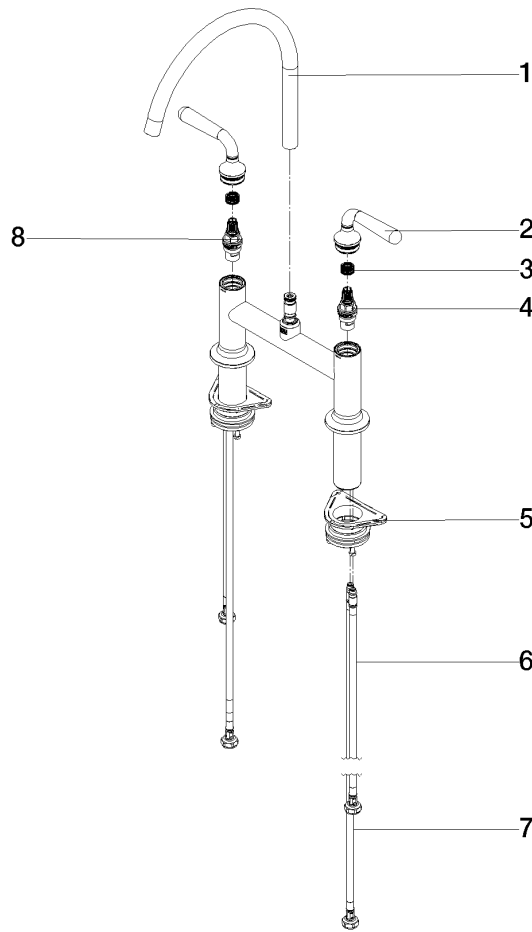
Flow rate chart



Codes & Standards

California Energy
Commission
(CEC)

ST 110 202 2809
Parts for other
finishes can be found
here: Chrome



Spare parts list

No.	Item Number	Name	Quantity used	Delivery time
1	90 28 22 396 01-46	spout	1	-
Spare part can no longer be ordered, please order the replacement item				
2	90 20 80 057 00-46	handle	2	-
Spare part can no longer be ordered, please order the replacement item				
3	90 12 12 232 00 90	fixing cap	2	2
4	90 90 03 130 00 90	top	1	2
5	04 30 11 040 00 90	fixing set	2	2
6	04 30 04 100 00 90	hose	2	2
7	04 30 04 103 00 90	hose	2	2
8	90 90 03 131 00 90	top	1	2