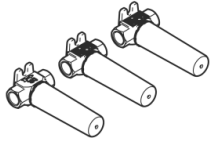


UP-Wandbatterie variable Positionierung -

35 712 970 90

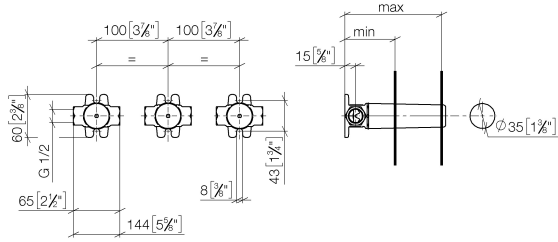


- DR-Messing, bleifrei
- Anschluss 1/2"
- 3x Verschlussstopfen 1/2"
- 3x Rohbau-Schutzhauben

UP-Wandbatterie variable Positionierung -

35 712 970 90

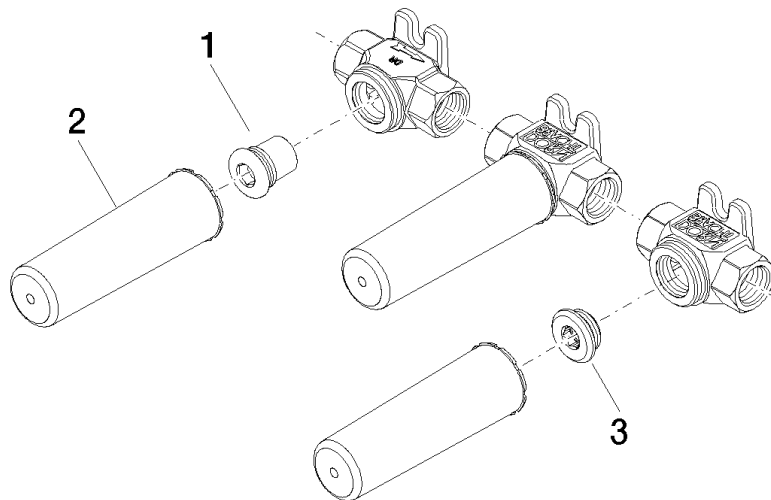
mm [inches]



	min	max
Madison	55 [2 1/8"]	115 [4 1/2"]
Square	55 [2 1/8"]	110 [4 3/8"]
Circle	55 [2 1/8"]	130 [5 1/8"]
Vaia	60 [2 3/8"]	132 [5 1/4"]
Domicil	60 [2 1/2"]	100 [3 7/8"]
Deque	70 [2 3/4"]	135 [5 3/8"]
Gentle	70 [2 3/4"]	135 [5 3/8"]
LaHeur	70 [2 3/4"]	135 [5 3/8"]
Selv	70 [2 3/4"]	135 [5 3/8"]
Supernova	70 [2 3/4"]	135 [5 3/8"]
Symetrics	70 [2 3/4"]	135 [5 3/8"]
Tara	70 [2 3/4"]	135 [5 3/8"]
CL_2	85 [3 3/8"]	108 [4 3/8"]
MEM	93 [3 5/8"]	138 [5 3/8"]
CL_1	93 [3 5/8"]	138 [5 3/8"]
La Heur Cl.	102 [4"]	144 [5 5/8"]

UP-Wandbatterie variable Positionierung -

35 712 970 90



Ersatzteilstückliste

Nr.	Artikelnummer	Benennung	Verbaumenge	Lieferzeit
1	04 31 20 037 00 90	Stopfen	1	2
2	09 21 02 102 90	Kappe	3	2
3	04 31 20 006 00 90	Stopfen	2	2