

13 716 710

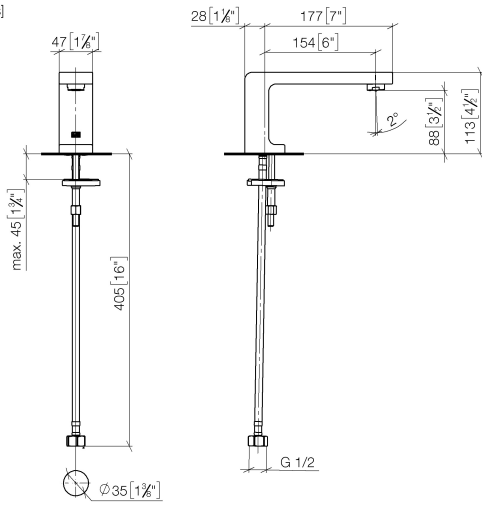


- 155mm projection
- fixed spout
- circular, air-enriched flow
- height of mixer 114 mm
- height up to aerator 90 mm
- hole diameter 35 mm
- 2x screw-in M 8 x 1 pressure hose, leak-tested
- 1/2" connection
- max. flow 7 l/min
- lead-free
- This product can help a building meet the requirements of Green Building Rating Systems, e.g. LEED®, BREEAM®, DGNB
- WRAS 1909064

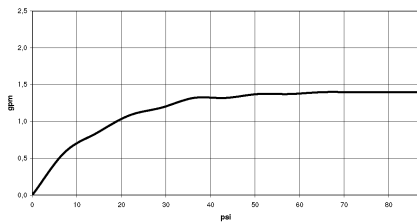
For Touchfree control please order eSet Touchfree
WITH or WITHOUT temperature adjustment

13 716 710

mm [inches]



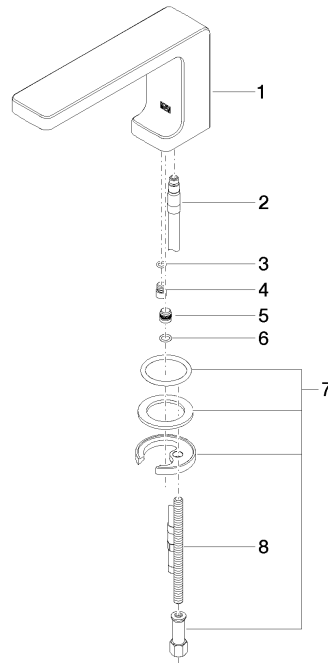
Flow rate chart



Certificates

WRAS_1909064.

13 716 710



Spare parts list

No.	Item Number	Name	Quantity used	Delivery time
1	90 11 71 096 00-00	spout	1	-
Spare part can no longer be ordered, please order the replacement item				
2	04 30 04 018 00 90	hose	1	60
3	09 14 10 132 90	seal	1	2
4	09 31 20 108 90	plug	1	60
5	09 31 20 052 90	plug	1	2
6	09 14 10 061 90	seal	1	2
7	04 30 11 038 75 90	fixing set	1	2
8	09 31 11 012 90	pin	1	2