



13 800 670



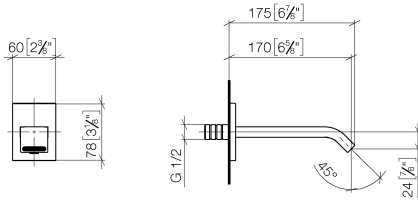
- 170mm projection
- fixed spout
- rectangular, air-enriched flow
- hole diameter 40 mm
- rosette 60 x 60 mm
- 1/2" connection
- max. flow 5.7 l/min
- lead-free
- This product can help a building meet the requirements of Green Building Rating Systems, e.g. LEED®, BREEAM®, DGNB
- WRAS 2005002

For Touchfree control please order eSet Touchfree WITH or WITHOUT temperature adjustment

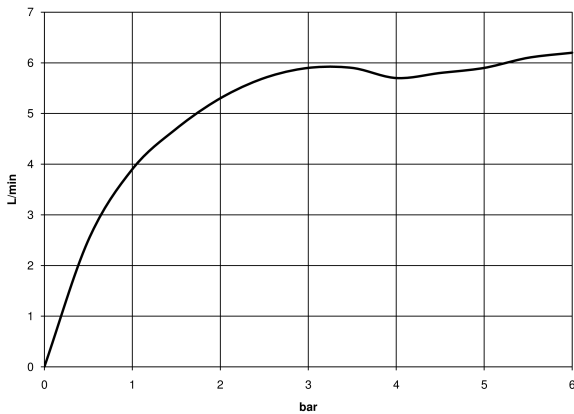
	Brushed Chrome	13 800 670-93
	Chrome	13 800 670-00

13 800 670

mm [inches]



Flow rate chart



Codes & Standards

DIN 4109

ISO 3822

Scottish Water
Byelaws

UK Water Supply
Regulations

Ü-Zeichen



IMO Wall-mounted basin spout without pop-up waste - Brushed Chrome

IMO

13 800 670

Certificates

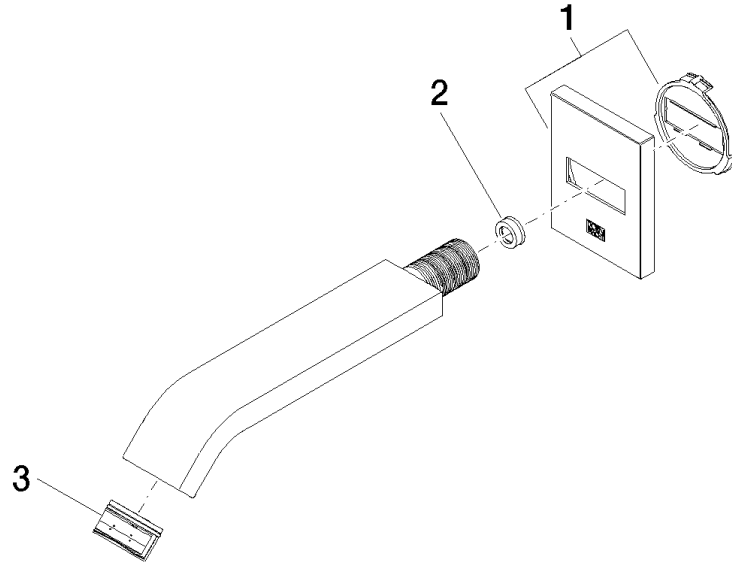
WRAS_2005

LGA_29

13 800 670

Product version from 3/13/2017

Parts for other finishes can be found here: [Chrome](#)





IMO Wall-mounted basin spout without pop-up waste - Brushed Chrome

IMO

13 800 670

Spare parts list

Product version from 3/13/2017

No.	Item Number	Name	Quantity used	Delivery time
	90 27 67 005 00-93	rosette	3	20