

19 815 809



- 241mm projection
- pivotable spout 360°
- air-enriched flow
- max. flow 7 l/min at 3 bar flow pressure
- lead-free
- This product can help a building meet the requirements of Green Building Rating Systems, e.g. LEED®, BREEAM®, DGNB

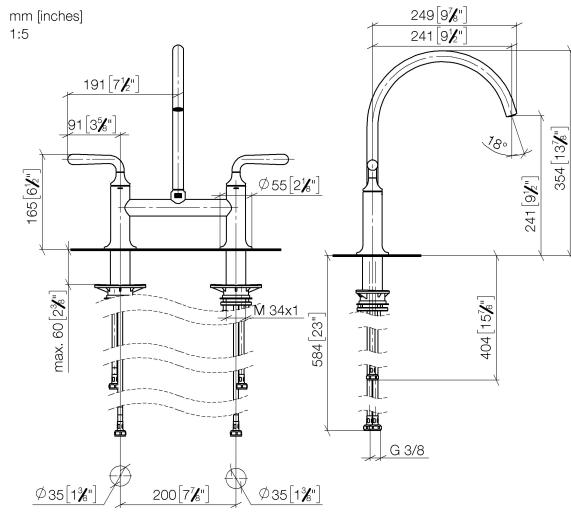
|   |                                |               |
|---|--------------------------------|---------------|
|    | Brushed Chrome                 | 19 815 809-93 |
|    | Chrome                         | 19 815 809-00 |
|    | Brushed Platinum               | 19 815 809-06 |
|    | Platinum                       | 19 815 809-08 |
|    | Durabronze (23kt Gold)         | 19 815 809-09 |
|    | Dark Chrome                    | 19 815 809-19 |
|    | Brushed Durabronze (23kt Gold) | 19 815 809-28 |
|    | Matte Black                    | 19 815 809-33 |
|    | Brushed Champagne (22kt Gold)  | 19 815 809-46 |
|   | Champagne (22kt Gold)          | 19 815 809-47 |
|  | Brushed Dark Platinum          | 19 815 809-99 |

Recommended miscellaneous

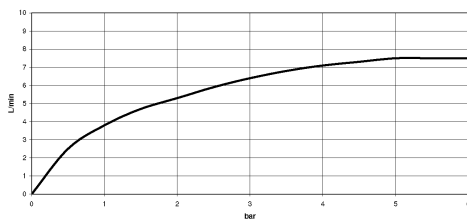
**VAIA Dispenser with rosette -** 82 434 809-93  
**Brushed Chrome**



19 815 809



Flow rate chart

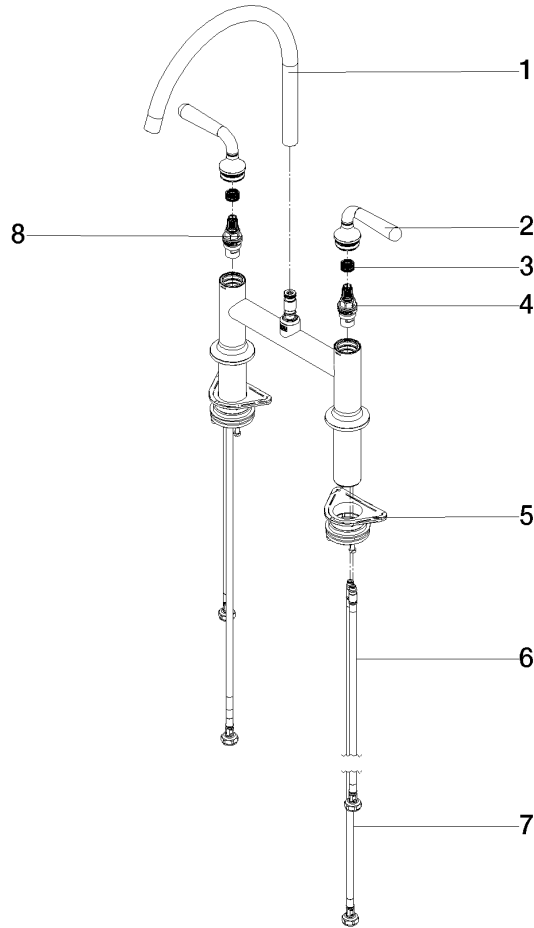


Certificates

LGA\_38632.

19 815 809

Parts for other finishes can be found here: [Chrome](#)



### Spare parts list

| No.  | Item Number        | Name       | Quantity used | Delivery time |
|--|--------------------|------------|---------------|---------------|
| 1  | 90 28 22 396 00-93 | spout      | 1             | -             |
| Spare part can no longer be ordered, please order the replacement item |                    |            |               |               |
| 2  | 90 20 80 057 00-93 | handle     | 2             | -             |
| Spare part can no longer be ordered, please order the replacement item |                    |            |               |               |
| 3  | 90 12 12 232 00 90 | fixing cap | 2             | 2             |
| 4  | 90 90 03 130 00 90 | top        | 1             | 2             |
| 5  | 04 30 11 040 00 90 | fixing set | 2             | 2             |
| 6  | 04 30 04 100 00 90 | hose       | 2             | 2             |
| 7  | 04 30 04 101 00 90 | hose       | 2             | 2             |
| 8  | 90 90 03 131 00 90 | top        | 1             | 2             |