

20 713 819



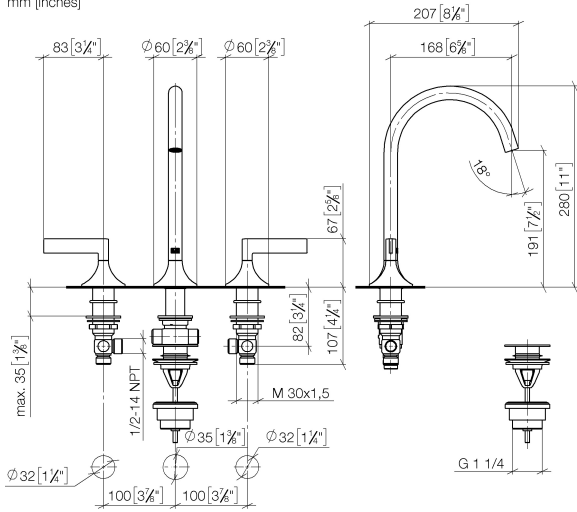
- 168mm projection
- pivotable spout 360°
- circular, air-enriched flow
- height of mixer 280 mm
- height up to aerator 191 mm
- hole diameter valve 32 mm
- hole diameter spout 35 mm
- rosette Ø 60 mm
- max. flow 5.7 l/min
- lead-free
- This product can help a building meet the requirements of Green Building Rating Systems, e.g. LEED®, BREEAM®, DGNB
- WRAS 2312068

Only suitable for basins with an overflow.

|  |                                |               |
|--|--------------------------------|---------------|
|  | Dark Chrome                    | 20 713 819-19 |
|  | Chrome                         | 20 713 819-00 |
|  | Brushed Platinum               | 20 713 819-06 |
|  | Platinum                       | 20 713 819-08 |
|  | Brushed Durabronze (23kt Gold) | 20 713 819-28 |
|  | Brushed Bronze                 | 20 713 819-42 |
|  | Brushed Champagne (22kt Gold)  | 20 713 819-46 |
|  | Champagne (22kt Gold)          | 20 713 819-47 |
|  | Brushed Dark Platinum          | 20 713 819-99 |

20 713 819

mm [inches]



**Flow rate chart**



**Codes & Standards**

DIN 4109

Executive Order  
no. 1007

ISO 3822

Scottish Water  
Byelaws

UK Water Supply  
Regulations

Ü-Zeichen



VAIA Three-hole basin mixer with pop-up waste - Dark Chrome

---

VAIA

20 713 819

Certificates

---

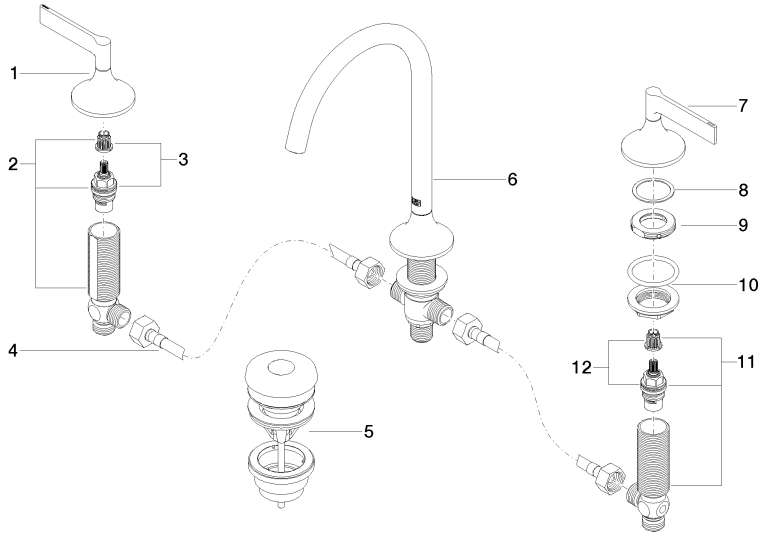
GDV\_0400

LGA\_29

WRAS\_2312

20 713 819

Parts for other finishes can be found here: [Chrome](#)





## Spare parts list