


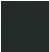


DORNBACHT YARRE Three-hole basin mixer with pop-up waste - Chrome

20 713 832



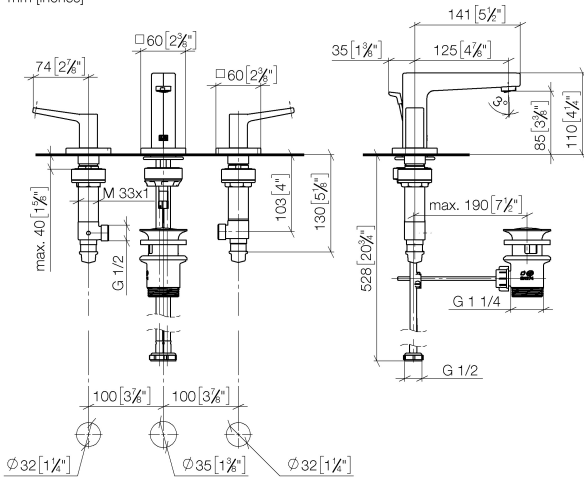
- 125mm projection
- circular, air-enriched flow
- height of mixer 100 mm
- height up to aerator 85 mm
- hole diameter valve 32 mm
- hole diameter spout 35 mm
- rosette 60 x 60 mm
- 2x screw-in M 8 x 1 pressure hose, leak-tested
- max. flow 6.8 l/min
- WRAS 2310319

	Chrome	20 713 832-00
	Soft Black	20 713 832-69

DORNBRAUCHT YARRE Three-hole basin mixer with pop-up waste - Chrome

20 713 832

mm [inches]



Flow rate chart



Codes & Standards

DIN 4109

ISO 3822

Scottish Water
Byelaws

UK Water Supply
Regulations

Ü-Zeichen

XP P 41-280



DORNBACHT YARRE Three-hole basin mixer with pop-up waste - Chrome

20 713 832

Certificates

ACS_23 ACC NY

WRAS_2310

AbP_10

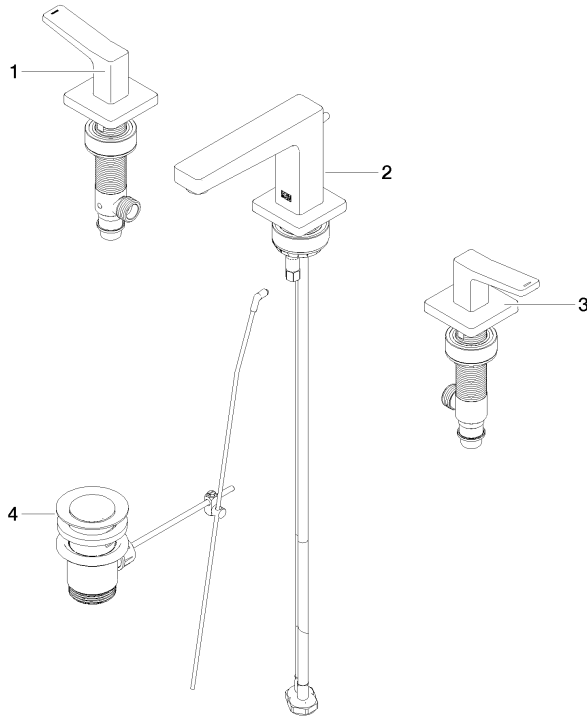


DORNBACHT YARRE Three-hole basin mixer with pop-up waste - Chrome

20 713 832

Product version from 1/1/2023

Parts for other finishes can be found here: [Soft Black](#)





DORNBACHT YARRE Three-hole basin mixer with pop-up waste - Chrome

20 713 832

Spare parts list

Product version from 1/1/2023

No.	Item Number	Name	Quantity used	Delivery time
	90 20 83 069 00-00	handle (hot)	4	60