

**META Single-lever basin mixer with stand pipe without pop-up waste - Brushed Bronze**

META

22 584 661



- 202mm projection
- circular, air-enriched flow
- total height 1197 - 1267 mm
- height up to water outlet point 1098 mm
- rosette Ø 135 mm
- max. flow 5.7 l/min
- lead-free
- This product can help a building meet the requirements of Green Building Rating Systems, e.g. LEED®, BREEAM®, DGNB
- pivoting spout
- WRAS 240502021

|   |                               |               |
|---|-------------------------------|---------------|
|    | Brushed Bronze                | 22 584 661-42 |
|    | Chrome                        | 22 584 661-00 |
|    | Brushed Platinum              | 22 584 661-06 |
|    | Dark Chrome                   | 22 584 661-19 |
|    | Light Gold                    | 22 584 661-26 |
|    | Brushed Light Gold            | 22 584 661-27 |
|    | Matte Black                   | 22 584 661-33 |
|    | Brushed Champagne (22kt Gold) | 22 584 661-46 |
|    | Champagne (22kt Gold)         | 22 584 661-47 |
|   | Brushed Chrome                | 22 584 661-93 |
|  | Brushed Dark Platinum         | 22 584 661-99 |

**Required miscellaneous**



- Concealed floor mounting -**
- min. recess depth 80 mm
  - max. recess depth 150 mm

35 945 970 90

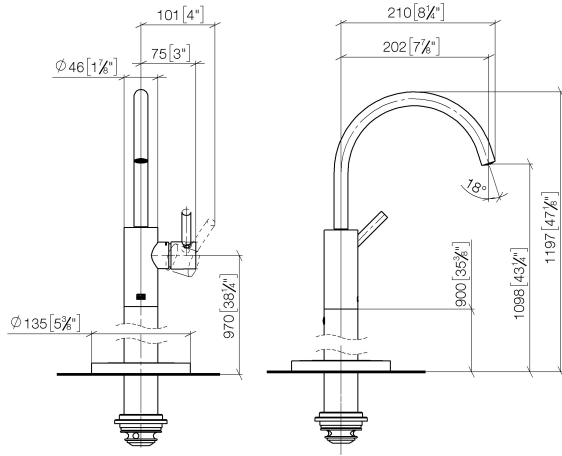
**Required miscellaneous**



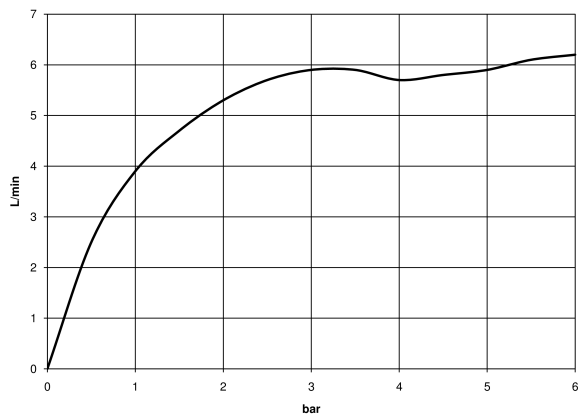
- Concealed floor mounting -**
- min. recess depth 80 mm
  - max. recess depth 150 mm

35 945 970 90

22 584 661  
mm [inches]



**Flow rate chart**

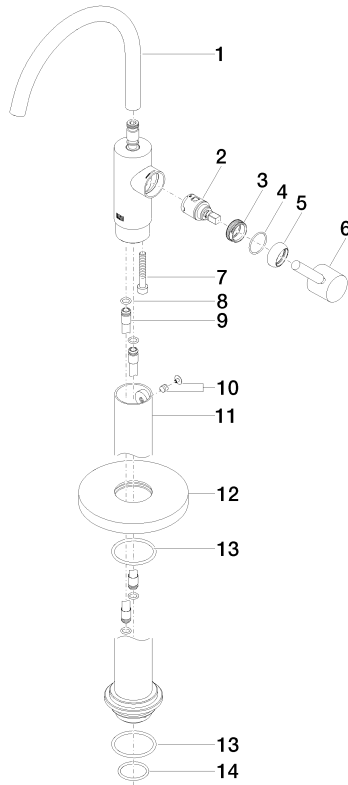


**Certificates**

LGA\_38423.

WRAS\_240502021.

22 584 661



**Spare parts list**

| No. | Item Number        | Name       | Quantity used | Delivery time |
|-----|--------------------|------------|---------------|---------------|
| 1   | 90 28 22 313 00-42 | spout      | 1             | 30            |
| 2   | 90 15 05 042 00 90 | cartridge  | 1             | 2             |
| 3   | 09 24 04 266 90    | nut        | 1             | 2             |
| 4   | 09 14 10 091 90    | seal       | 1             | 2             |
| 5   | 09 28 30 021-42    | cover      | 1             | 60            |
| 6   | 90 20 66 003 00-42 | handle     | 1             | 30            |
| 7   | 09 30 30 111 90    | screw      | 1             | 2             |
| 8   | 09 14 10 139 90    | seal       | 2             | 2             |
| 9   | 04 28 22 022 10 90 | connection | 2             | 2             |
| 10  | 04 31 11 002 00 90 | pin        | 1             | 2             |
| 11  | 90 28 22 574 00-42 | pipe       | 1             | 30            |
| 12  | 09 27 88 005-42    | rosette    | 1             | 60            |
| 13  | 09 14 10 084 90    | seal       | 2             | 2             |
| 14  | 09 14 10 018 90    | seal       | 1             | 2             |