

**MADISON Showerpipe with shower mixer without hand shower - Durabronss
(23kt Gold)**

MADISON







26 632 360 Product version from 7/1/2022



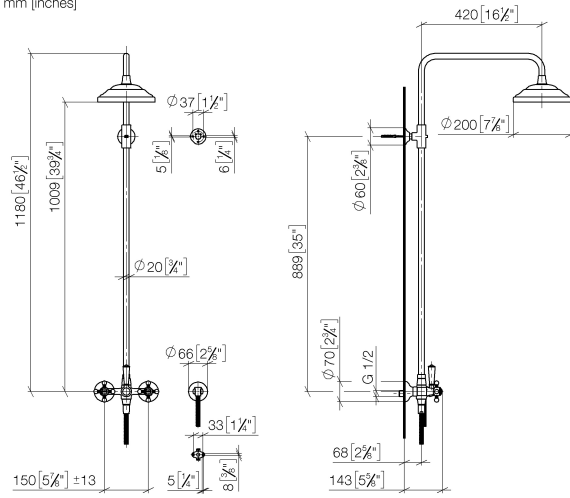
- shower with fixed riser projection 420mm
- overhead shower: rain flow
- rain shower Ø 200 mm
- max. rainshower flow 7 l/min
- rotary diverter for fixed-riser shower/hand shower
- height of fittings up to top edge of elbow 1180mm
- height of fittings up to rain shower (bottom edge) 1009mm
- rosette for shower holder Ø 66mm
- rosette for wall mounting Ø 70mm
- rosette for shower mixer Ø 60mm
- gauge 150 mm - 13 mm
- metal shower hose 1250mm with integrated anti-twist protection
- 1/2" connection
- Pipe diameter 20 mm
- This product can help a building meet the requirements of Green Building Rating Systems, e.g. LEED®, BREEAM®, DGNB

This article does not include a hand shower!

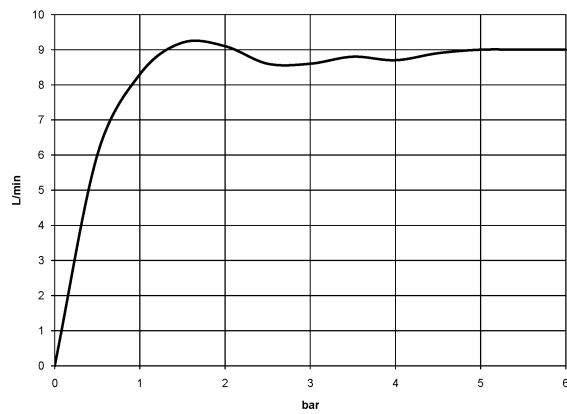
Intrinsic protection against back flow.

	Durabronss (23kt Gold)	26 632 360-09 0050
	Chrome	26 632 360-00 0050
	Brushed Platinum	26 632 360-06 0050
	Platinum	26 632 360-08 0050
	Brushed Durabronss (23kt Gold)	26 632 360-28 0050
	Brushed Dark Platinum	26 632 360-99 0050

26 632 360 Product version from 7/1/2022
mm [inches]



Flow rate chart

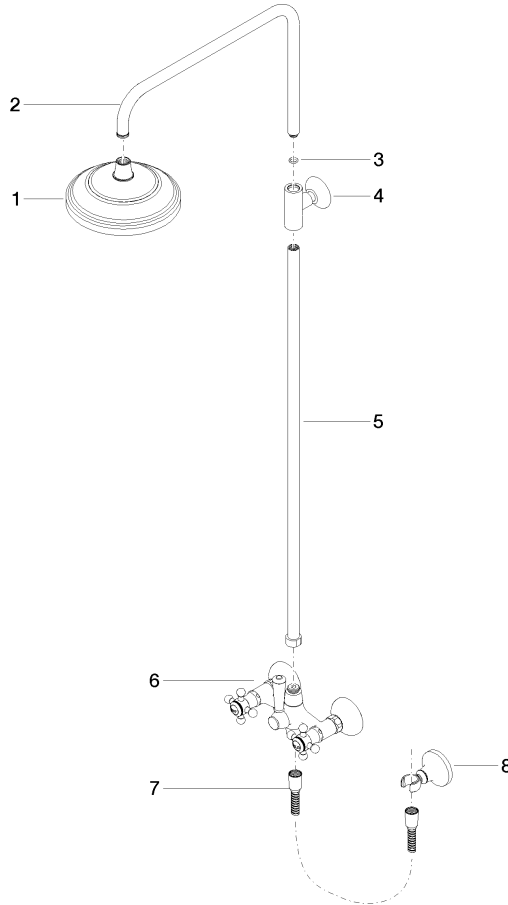


**MADISON Showerpipe with shower mixer without hand shower - Durabronz
(23kt Gold)**

MADISON

26 632 360 Product version from 7/1/2022

Parts for other finishes can be found here: [Chrome](#)



Spare parts list

No.	Item Number	Name	Quantity used	Delivery time
1	90 12 05 038 20-09	shower	1	40
2	04 28 22 101 20-09	spout	1	40
3	90 14 10 011 00 90	seal	1	2
4	90 17 11 033 00-09	holder	1	-
Spare part can no longer be ordered, please order the replacement item				
5	90 28 22 096 00-09	pipe	1	-
Spare part can no longer be ordered, please order the replacement item				
6	04 17 10 001 00-09	fitting	1	40
7	28 104 970-09	Metal shower hose 1/2" x 1/2" x 1250 mm - Durabronz (23kt Gold)	1	40
8	28 050 410-09	holder	1	60