

26 633 892 Product version from 7/1/2022



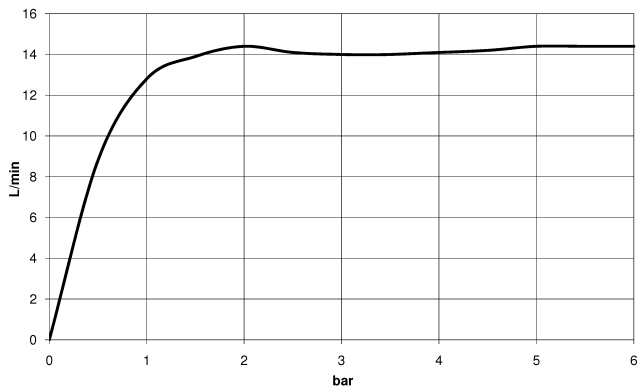
- shower with fixed riser projection 420mm
- overhead shower: rain flow
- rain shower Ø 220 mm
- rain shower with anti-scale system
- max. rainshower flow 14 l/min
- rotary diverter for fixed-riser shower/hand shower
- height of fittings up to rain shower (bottom edge) 1007mm
- height of fittings up to top edge of elbow 1167mm
- rosette for shower holder Ø 55mm
- rosette for wall mounting Ø 57mm
- rosette for shower mixer Ø 65mm
- gauge 150 mm - 13 mm
- 1500 mm metal shower hose
- 1/2" connection
- Pipe diameter 20 mm
- quick clearing
- This product can help a building meet the requirements of Green Building Rating Systems, e.g. LEED®, BREEAM®, DGNB

This article does not include a hand shower!

Intrinsic protection against back flow.

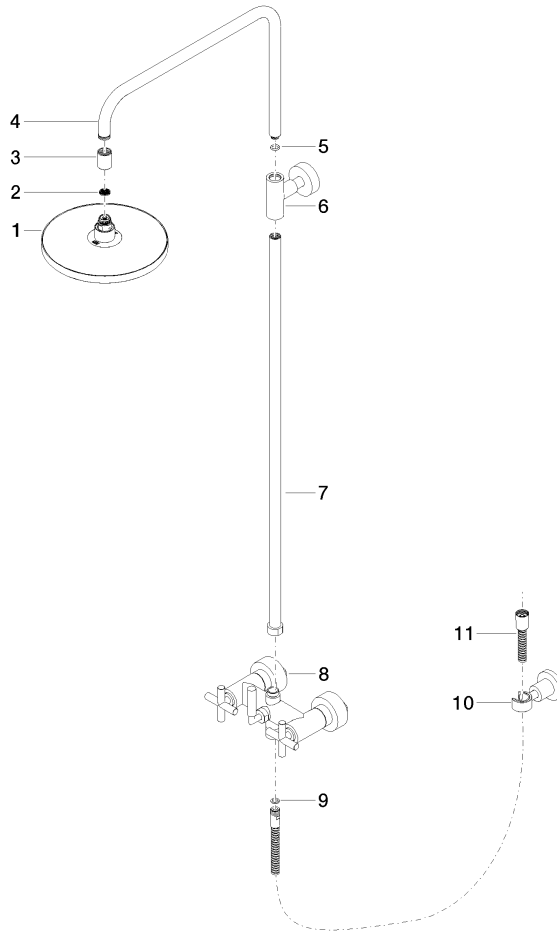
	Dark Chrome	26 633 892-19 0050
	Chrome	26 633 892-00 0050
	Brushed Platinum	26 633 892-06 0050
	Platinum	26 633 892-08 0050
	Brushed Durabronze (23kt Gold)	26 633 892-28 0050
	Matte Black	26 633 892-33 0050
	Brushed Bronze	26 633 892-42 0050
	Brushed Champagne (22kt Gold)	26 633 892-46 0050
	Champagne (22kt Gold)	26 633 892-47 0050
	Brushed Chrome	26 633 892-93 0050
	Brushed Dark Platinum	26 633 892-99 0050

Flow rate chart



26 633 892 Product version from 7/1/2022

Parts for other finishes can be found here: [Chrome](#)



Spare parts list

No.	Item Number	Name	Quantity used	Delivery time
1	90 12 05 092 00-19	90120509200-19	1	-
Spare part can no longer be ordered, please order the replacement item				
2	09 23 01 039 90	sieve	1	2
3	09 24 03 177 20-19	adaptor	1	20
4	04 28 22 101 20-19	spout	1	20
5	90 14 10 011 00 90	seal	1	2
6	90 17 11 037 00-19	holder	1	20
7	90 28 22 096 00-19	pipe	1	20
8	04 17 10 020 01-19	fitting	1	20
9	90 14 20 026 00 90	seal	1	2
10	28 050 892-19	TARA Wall bracket - Dark Chrome	1	20
11	28 304 970-19	Metal shower hose 1/2" x 3/8" x 1500 mm - Dark Chrome	1	20