

**MEM Three-hole single-lever bath mixer for bath rim or tile edge installation -  
Brushed Durabron (23kt Gold)**

MEM

27 412 782



- spout: rectangular normal flow
  - max. flow 20.4 l/min at 3 bar flow pressure
  - Hand shower: COMPACT RAIN, max. flow rate 6.8 l/min (at 3 bar)
  - complete hand shower set with anti-scale system
  - 220mm projection
  - automatic bath/shower diverter
  - height of mixer 300 mm
  - height up to aerator 170 mm
  - hole diameter spout 32 mm
  - single-lever mixer hole diameter 35 mm
  - hole diameter for complete hand shower set 32 mm
  - rosette for mixer 60 x 60mm
  - rosette for spout 60 x 60mm
  - rosette for complete hand shower set 60 x 60mm
  - metal shower hose 2250mm with integrated anti-twist protection
- Intrinsic protection against back flow.

	Brushed Durabron (23kt Gold)	27 412 782-28 0050
	Chrome	27 412 782-00 0050
	Brushed Platinum	27 412 782-06 0050
	Platinum	27 412 782-08 0050
	Dark Chrome	27 412 782-19 0050
	Brushed Champagne (22kt Gold)	27 412 782-46 0050
	Champagne (22kt Gold)	27 412 782-47 0050
	Brushed Dark Platinum	27 412 782-99 0050

**Recommended miscellaneous**



**Perfecto installation kit -** 12 614 970 90

**Recommended miscellaneous**

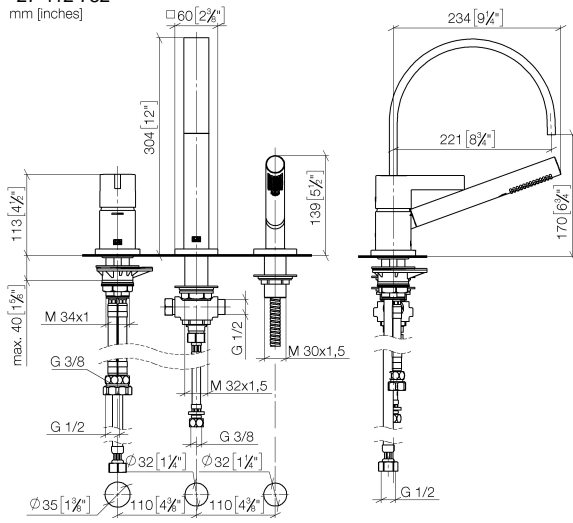


**Decorative caps for Perfecto -  
Brushed Durabron (23kt Gold)** 12 801 970-28  
• 1 pair

**MEM Three-hole single-lever bath mixer for bath rim or tile edge installation -  
Brushed Durabronz (23kt Gold)**

MEM

27 412 782  
mm [inches]



MEM Three-hole single-lever bath mixer for bath rim or tile edge installation -  
Brushed Durabronze (23kt Gold)

MEM

27 412 782

