

**MEM Three-hole single-lever bath mixer for bath rim or tile edge installation -
Brushed Champagne (22kt Gold)**

MEM

27 412 782



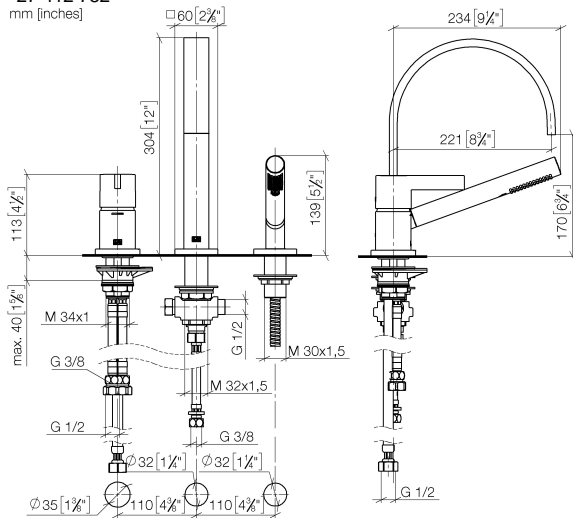
- spout: rectangular normal flow
 - max. flow 20.4 l/min at 3 bar flow pressure
 - Hand shower: COMPACT RAIN, max. flow rate 6.8 l/min (at 3 bar)
 - complete hand shower set with anti-scale system
 - 220mm projection
 - automatic bath/shower diverter
 - height of mixer 300 mm
 - height up to aerator 170 mm
 - hole diameter spout 32 mm
 - single-lever mixer hole diameter 35 mm
 - hole diameter for complete hand shower set 32 mm
 - rosette for mixer 60 x 60mm
 - rosette for spout 60 x 60mm
 - rosette for complete hand shower set 60 x 60mm
 - metal shower hose 2250mm with integrated anti-twist protection
- Intrinsic protection against back flow.

	Brushed Champagne (22kt Gold)	27 412 782-46 0050
	Chrome	27 412 782-00 0050
	Brushed Platinum	27 412 782-06 0050
	Platinum	27 412 782-08 0050
	Dark Chrome	27 412 782-19 0050
	Brushed Durabronze (23kt Gold)	27 412 782-28 0050
	Champagne (22kt Gold)	27 412 782-47 0050
	Brushed Dark Platinum	27 412 782-99 0050

**MEM Three-hole single-lever bath mixer for bath rim or tile edge installation -
Brushed Champagne (22kt Gold)**

MEM

27 412 782
mm [inches]

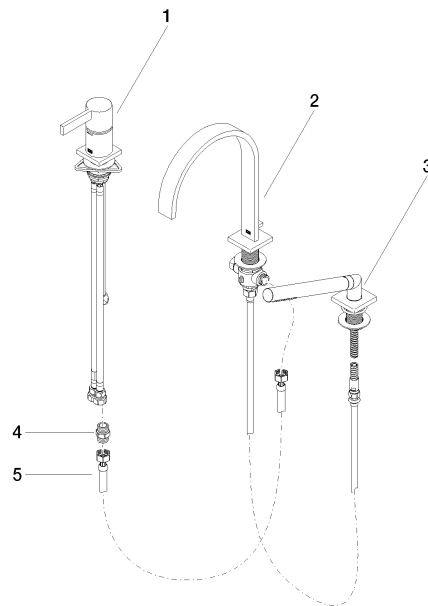


**MEM Three-hole single-lever bath mixer for bath rim or tile edge installation -
Brushed Champagne (22kt Gold)**

MEM

27 412 782

Parts for other
finishes can be found
here: [Chrome](#)



Spare parts list

No.	Item Number	Name	Quantity used	Delivery time
1	29 300 670-46	Single-lever bath mixer for bath rim or tile edge installation - Brushed Champagne (22kt Gold)	1	30
2	13 512 782-46	spout	1	-
Spare part can no longer be ordered, please order the replacement item				
3	27 702 980-46 0050	Hand shower set for bath rim or tile edge installation - Brushed Champagne (22kt Gold)	1	30
4	90 24 03 168 00 90	nipple	1	2
5	12 502 970 90	High pressure hose 1/2" x 1/2" x 400 mm -	1	2