

# MEM Three-hole single-lever bath mixer for bath rim or tile edge installation - Brushed Dark Platinum

MEM

27 412 782



- spout: rectangular normal flow
- max. flow 20.4 l/min at 3 bar flow pressure
- Hand shower: COMPACT RAIN, max. flow rate 6.8 l/min (at 3 bar)
- complete hand shower set with anti-scale system
- 220mm projection
- automatic bath/shower diverter
- height of mixer 300 mm
- height up to aerator 170 mm
- hole diameter spout 32 mm
- single-lever mixer hole diameter 35 mm
- hole diameter for complete hand shower set 32 mm
- rosette for mixer 60 x 60mm
- rosette for spout 60 x 60mm
- rosette for complete hand shower set 60 x 60mm
- metal shower hose 2250mm with integrated anti-twist protection

Intrinsic protection against back flow.

	Brushed Dark Platinum	27 412 782-99 0050
	Chrome	27 412 782-00 0050
	Brushed Platinum	27 412 782-06 0050
	Platinum	27 412 782-08 0050
	Dark Chrome	27 412 782-19 0050
	Brushed Durabronze (23kt Gold)	27 412 782-28 0050
	Brushed Champagne (22kt Gold)	27 412 782-46 0050
	Champagne (22kt Gold)	27 412 782-47 0050

## Recommended miscellaneous



**Perfecto installation kit -**

12 614 970 90

## Recommended miscellaneous



**Decorative caps for Perfecto -  
Brushed Dark Platinum**

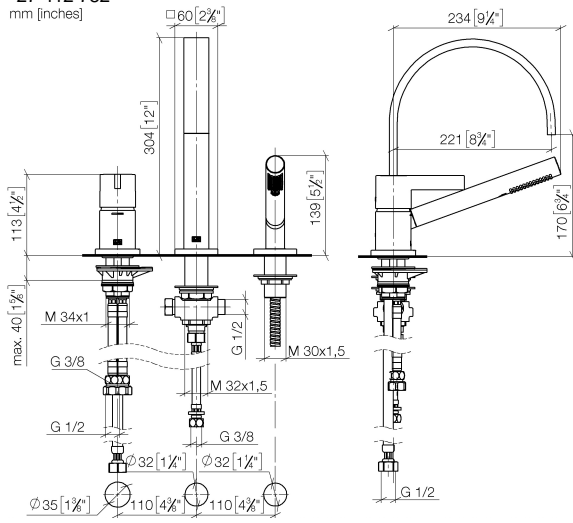
12 801 970-99

- 1 pair

**MEM Three-hole single-lever bath mixer for bath rim or tile edge installation -  
Brushed Dark Platinum**

MEM

27 412 782  
mm [inches]



MEM Three-hole single-lever bath mixer for bath rim or tile edge installation -  
Brushed Dark Platinum

MEM

27 412 782

