

**MEM Bath shower set for bath rim or tile edge installation - Brushed
Champagne (22kt Gold)**

MEM

27 532 782



- spout: rectangular normal flow
 - max. flow 27.3 l/min at 3 bar flow pressure
 - Hand shower: COMPACT RAIN, max. flow rate 6.8 l/min (at 3 bar)
 - complete hand shower set with anti-scale system
 - 220mm projection
 - automatic bath/shower diverter
 - height of mixer 300 mm
 - height up to aerator 170 mm
 - hole diameter valve 32 mm
 - hole diameter spout 32 mm
 - hole diameter for complete hand shower set 32 mm
 - rosette for spout 60 x 60mm
 - rosette for complete hand shower set 60 x 60mm
 - rosette for deck valve 60 x 60mm
 - metal shower hose 1750mm with integrated anti-twist protection
- Intrinsic protection against back flow.

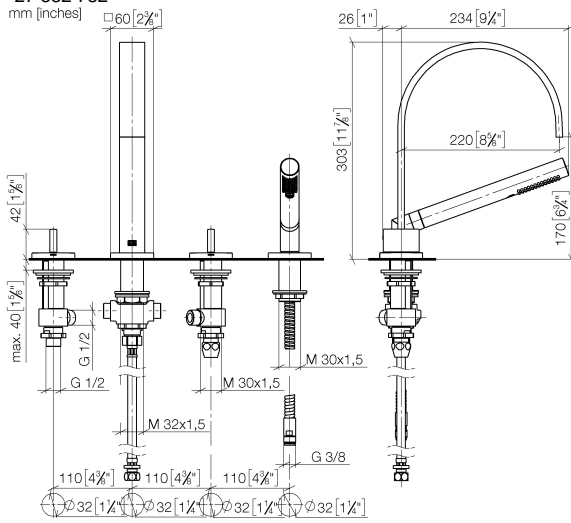
	Brushed Champagne (22kt Gold)	27 532 782-46 0050
	Chrome	27 532 782-00 0050
	Brushed Platinum	27 532 782-06 0050
	Platinum	27 532 782-08 0050
	Dark Chrome	27 532 782-19 0050
	Brushed Durabronze (23kt Gold)	27 532 782-28 0050
	Champagne (22kt Gold)	27 532 782-47 0050
	Brushed Dark Platinum	27 532 782-99 0050

MEM Bath shower set for bath rim or tile edge installation - Brushed Champagne (22kt Gold)

MEM

27 532 782

mm [inches]

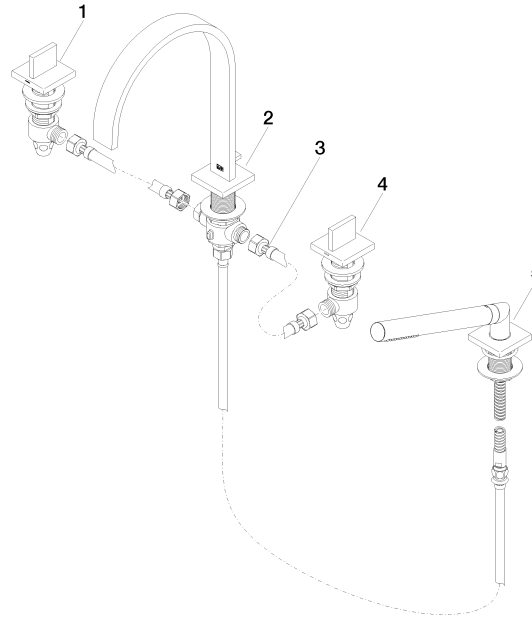


MEM Bath shower set for bath rim or tile edge installation - Brushed Champagne (22kt Gold)

MEM

27 532 782

Parts for other finishes can be found here: [Chrome](#)



Spare parts list

No.	Item Number	Name	Quantity used	Delivery time
1	20 000 783-46	MEM Deck valve anti-clockwise closing hot - Brushed Champagne (22kt Gold)	1	30
2	13 512 782-46	spout	1	-
Spare part can no longer be ordered, please order the replacement item				
3	12 502 970 90	High pressure hose 1/2" x 1/2" x 400 mm -	1	2
4	20 000 782-46	MEM Deck valve clockwise closing cold - Brushed Champagne (22kt Gold)	1	30
5	27 702 980-46 0050	Hand shower set for bath rim or tile edge installation - Brushed Champagne (22kt Gold)	1	30