

27 632 661



- spout: circular, air-enriched flow
- max. flow 23.5 l/min at 3 bar flow pressure
- Hand shower: COMPACT RAIN, max. flow rate 6.8 l/min (at 3 bar)
- complete hand shower set with anti-scale system
- automatic bath/shower diverter
- 221mm projection
- height of mixer 319 mm
- height up to aerator 216 mm
- hole diameter spout 35 mm
- hole diameter single-lever mixer 35 mm
- hole diameter for complete hand shower set 32 mm
- rosette for spout Ø 60mm
- rosette for single-lever mixer Ø 55mm
- rosette for complete hand shower set Ø 60mm
- metal shower hose 1750mm with integrated anti-twist protection

Intrinsic protection against back flow.

| | | |
|---|-------------------------------|--------------------|
|  | Light Gold | 27 632 661-26 0050 |
|  | Chrome | 27 632 661-00 0050 |
|  | Brushed Platinum | 27 632 661-06 0050 |
|  | Dark Chrome | 27 632 661-19 0050 |
|  | Brushed Light Gold | 27 632 661-27 0050 |
|  | Matte Black | 27 632 661-33 0050 |
|  | Brushed Bronze | 27 632 661-42 0050 |
|  | Brushed Champagne (22kt Gold) | 27 632 661-46 0050 |
|  | Champagne (22kt Gold) | 27 632 661-47 0050 |
|  | Brushed Chrome | 27 632 661-93 0050 |
|  | Brushed Dark Platinum | 27 632 661-99 0050 |

Recommended miscellaneous



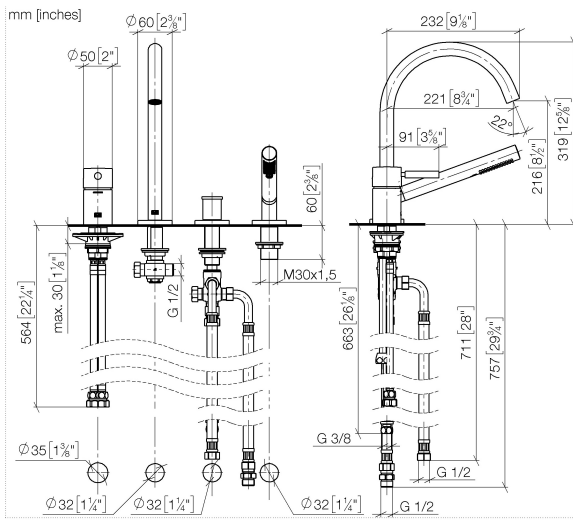
Perfecto installation kit - 12 614 970 90

Recommended miscellaneous

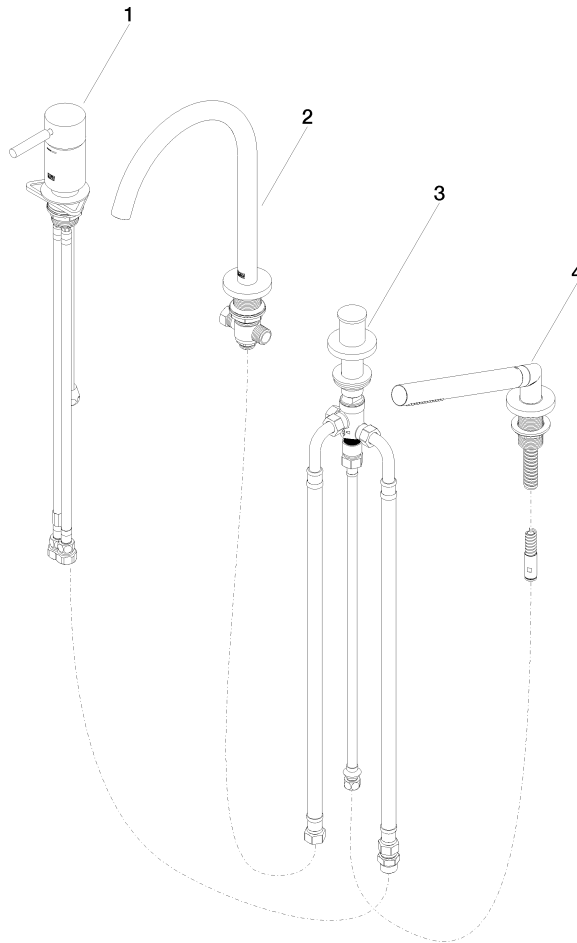


Decorative caps for Perfecto - Light Gold 12 801 970-26
• 1 pair

27 632 661



27 632 661



Spare parts list

| No. | Item Number | Name | Quantity used | Delivery time |
|--|--------------------|--|---------------|---------------|
| 1 | 29 300 660-26 | META Single-lever bath mixer for bath rim or tile edge installation - Light Gold | 1 | 30 |
| 2 | 13 512 661-26 | spout | 1 | - |
| Spare part can no longer be ordered, please order the replacement item | | | | |
| 3 | 29 140 660-26 | META Two-way diverter for bath rim or tile edge installation - Light Gold | 1 | 30 |
| 4 | 27 702 660-26 0050 | META Hand shower set for bath rim or tile edge installation - Light Gold | 1 | 30 |