

Bidet spray - Brushed Dark Platinum

IMO

27 701 670



Fits: IMO, LULU, MADISON, MEM, TARA, CL.1, LISSÉ, VAIA

- wall bracket with integrated safety shut off valve
- max. standing pressure: 5bar
- hand shower with back flow preventer
- 1/2" shower outlet
- rosette Ø 60 mm
- metal shower hose 1250mm with integrated anti-twist protection

This product does not provide intrinsic protection against backflow in accordance with DIN EN 1717. This product must not be installed and operated in countries where compliance with DIN EN 1717 is stipulated.

| | | |
|---|--------------------------------|---------------|
|  | Brushed Dark Platinum | 27 701 670-99 |
|  | Chrome | 27 701 670-00 |
|  | Brushed Platinum | 27 701 670-06 |
|  | Platinum | 27 701 670-08 |
|  | Dark Chrome | 27 701 670-19 |
|  | Brushed Light Gold | 27 701 670-27 |
|  | Brushed Durabronze (23kt Gold) | 27 701 670-28 |
|  | Brushed Bronze | 27 701 670-42 |
|  | Brushed Champagne (22kt Gold) | 27 701 670-46 |
|  | Champagne (22kt Gold) | 27 701 670-47 |
|  | Brushed Chrome | 27 701 670-93 |

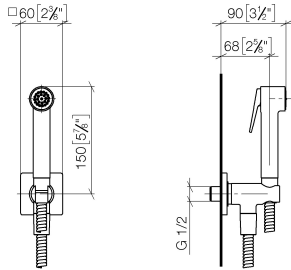
Recommended miscellaneous

- Concealed wall elbow -** 35 085 970 90
- max. recess depth 163 mm
 - min. recess depth 90 mm

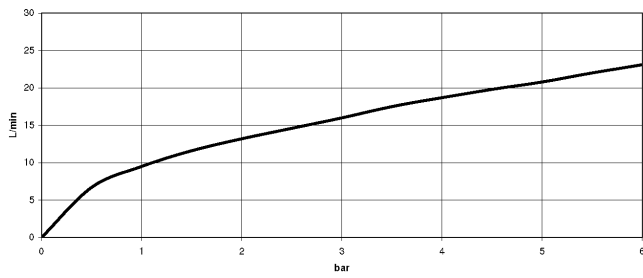


27 701 670

mm [inches]



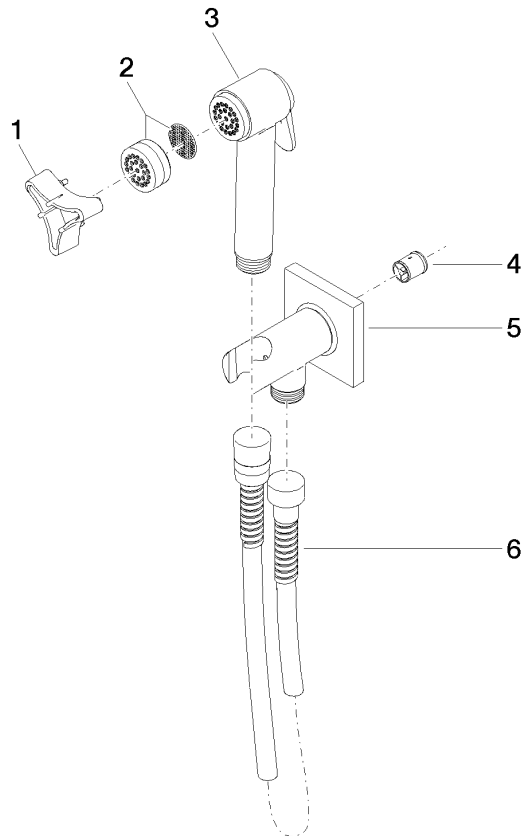
Flow rate chart



Certificates

LGA_29989.

27 701 670



Spare parts list

| No. | Item Number | Name | Quantity used | Delivery time |
|--|--------------------|---------------------|---------------|---------------|
| 1 | 09 30 09 029 90 | key | 1 | 2 |
| 2 | 12 861 970-99 | accessories | 1 | - |
| Spare part can no longer be ordered, please order the replacement item | | | | |
| 3 | 90 12 11 107 00-99 | shower | 1 | 30 |
| 4 | 09 23 01 097 90 | back-flow preventer | 1 | 2 |
| 5 | 90 11 03 002 00-99 | connection | 1 | 30 |
| 6 | 90 30 02 001 00-99 | hose | 1 | 30 |