

## Rain shower for surface-mounted ceiling installation with light 300 mm - Matte Black

TARA

28 032 970



Fits: TARA, LISSÉ, VAIA, META

- rain shower Ø 300 mm
  - PURE RAIN, max. flow rate 6.8 l/min (at 3 bar)
  - PURIFY RAIN, max. flow rate 6.8 l/min (at 3 bar)
  - Distance to ceiling from bottom edge of shower 40 mm
  - with anti-scale system
  - central LED Spot 3000 K
  - Provided by customer: Light switch
  - For simultaneous control of the jet types, we recommend the xTool thermostat module
  - This product can help a building meet the requirements of Green Building Rating Systems, e.g. LEED®, BREEAM®, DGNB
  - Not suitable for use in a steam room.
- Three-way diverter trim is sold separately**

Three-way diverter trim is sold separately

	Matte Black	28 032 970-33 0050
	Chrome	28 032 970-00 0050
	Brushed Platinum	28 032 970-06 0050
	Platinum	28 032 970-08 0050
	Dark Chrome	28 032 970-19 0050
	Light Gold	28 032 970-26 0050
	Brushed Light Gold	28 032 970-27 0050
	Brushed Durabronze (23kt Gold)	28 032 970-28 0050
	Brushed Bronze	28 032 970-42 0050
	Brushed Champagne (22kt Gold)	28 032 970-46 0050
	Champagne (22kt Gold)	28 032 970-47 0050
	Brushed Chrome	28 032 970-93 0050
	Brushed Dark Platinum	28 032 970-99 0050

### Required miscellaneous



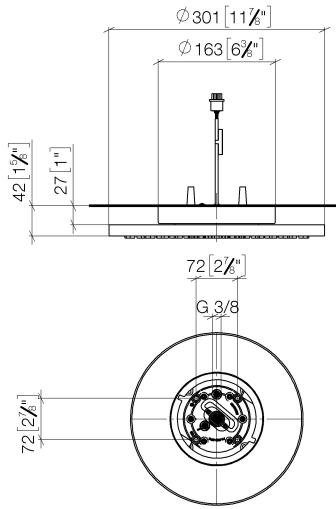
**Concealed ceiling installation box for surface-mounted ceiling installation with light -** 35 042 970 90

- min. recess depth 90 mm
- max. recess depth 115 mm
- 2x female thread 1/2" connections
- Input 100-240V AC 50-60Hz
- concealed rough parts
- Output 350 mA SELV / Class II
- Provided by customer: Light switch

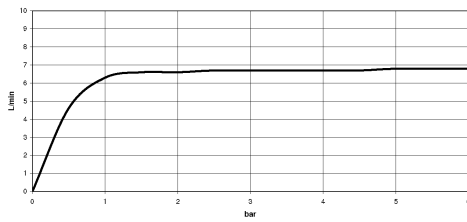
**Rain shower for surface-mounted ceiling installation with light 300 mm - Matte  
Black**

TARA

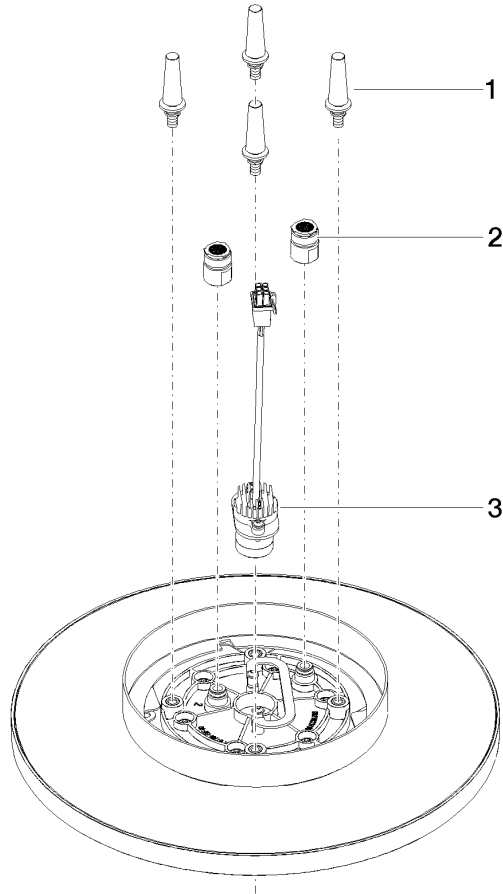
28 032 970  
mm [inches]



**Flow rate chart**



28 032 970



**Spare parts list**

No.	Item Number	Name	Quantity used	Delivery time
1	90 17 20 263 00 90	fixing set	1	2
2	90 24 03 309 02 90	connection	2	2
3	90 10 01 225 00 90	electronic accessories	1	2