

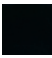
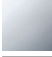



EDITION PRO Wall bracket - Matte Black

28 050 626

- rosette Ø 55 mm

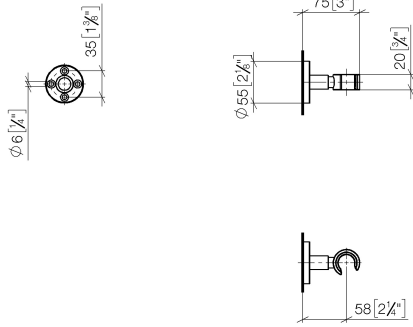


	Matte Black	28 050 626-33
	Chrome	28 050 626-00
	Brushed Chrome	28 050 626-93

EDITION PRO Wall bracket - Matte Black

28 050 626

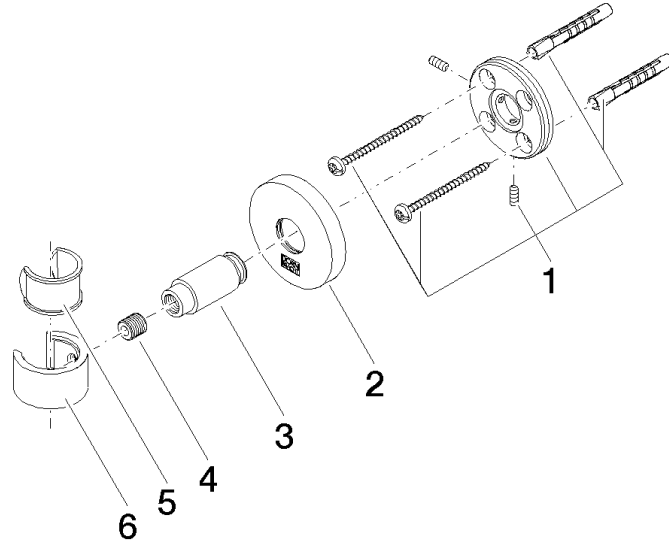
mm [inches]



EDITION PRO Wall bracket - Matte Black

28 050 626

Parts for other finishes can be found here: [Chrome](#)



Spare parts list

No.	Item Number	Name	Quantity used	Delivery time
1	05 17 62 500 00 90	fixing set	1	2
2	90 27 62 502 00-33	rosette	1	-
Spare part can no longer be ordered, please order the replacement item				
3	08 17 62 550-33	holder	1	30
4	08 18 50 585 90	screw	1	2
5	90 18 40 035 00 90	sleeve	1	2
6	09 17 20 014-33	holder	1	30