

## Shower head - Dark Chrome

IMO

28 504 670



- 180-210mm projection
- ball-joint pivotable through 30°
- PURIFY RAIN, max. flow rate 7 l/min (at 3 bar)
- with anti-scale system
- spray head Ø 100mm
- rosette 60 x 60 mm
- 1/2" connection
- This product can help a building meet the requirements of Green Building Rating Systems, e.g. LEED®, BREEAM®, DGNB

Fits: IMO, MEM, CL.1, CYO

	Dark Chrome	28 504 670-19 0050
	Chrome	28 504 670-00 0050
	Brushed Platinum	28 504 670-06 0050
	Platinum	28 504 670-08 0050
	Brushed Light Gold	28 504 670-27
	Brushed Light Gold	28 504 670-27 0050
	Brushed Durabrass (23kt Gold)	28 504 670-28 0050
	Matte Black	28 504 670-33 0050
	Brushed Champagne (22kt Gold)	28 504 670-46 0050
	Champagne (22kt Gold)	28 504 670-47 0050
	Brushed Chrome	28 504 670-93 0050
	Brushed Dark Platinum	28 504 670-99 0050

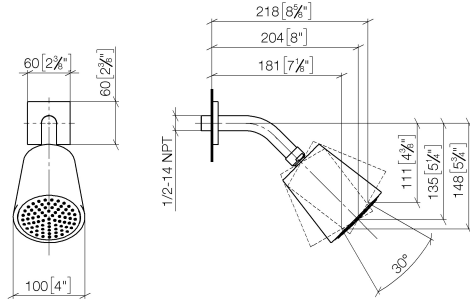
### Recommended miscellaneous



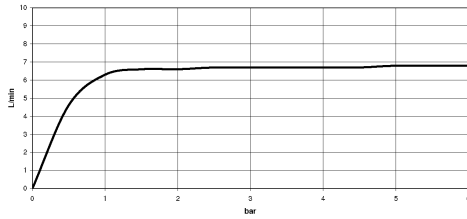
- Concealed wall elbow -** 35 085 970 90
- max. recess depth 163 mm
  - min. recess depth 90 mm

28 504 670

mm [inches]



Flow rate chart



28 504 670

