

Rain shower with wall fixing 220 mm - Brushed Chrome


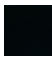
IMO

28 649 670



- 450mm projection
- rain shower Ø 220 mm
- PURE RAIN, max. flow rate 14 l/min (at 3 bar)
- rosette 65 x 65 mm
- 1/2" connection
- with anti-scale system
- quick clearing
- This product can help a building meet the requirements of Green Building Rating Systems, e.g. LEED®, BREEAM®, DGNB

Fits: IMO, CYO

| | | |
|---|-------------------------------------|--------------------|
|  | Brushed Chrome | 28 649 670-93 0050 |
|  | Chrome | 28 649 670-00 0050 |
|  | Brushed Platinum | 28 649 670-06 0050 |
|  | Platinum | 28 649 670-08 0050 |
|  | Dark Chrome | 28 649 670-19 0050 |
|  | Brushed Light Gold | 28 649 670-27 0050 |
|  | Brushed Light Gold | 28 649 670-27 |
|  | Brushed Durabronze (23kt Gold) | 28 649 670-28 0050 |
|  | Matte Black | 28 649 670-33 0050 |
|  | Brushed Champagne (22kt Gold) | 28 649 670-46 0050 |
|  | Champagne (22kt Gold) | 28 649 670-47 0050 |
|  | Brushed Dark Platinum | 28 649 670-99 0050 |

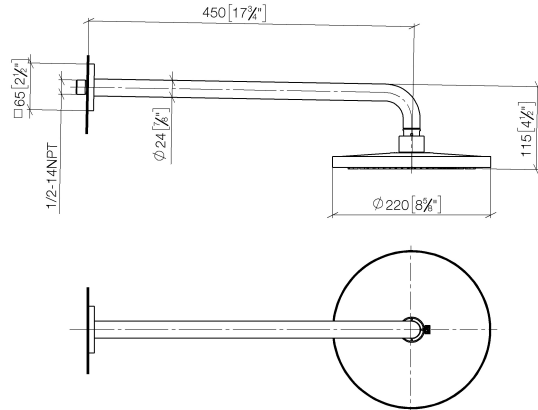
Recommended miscellaneous



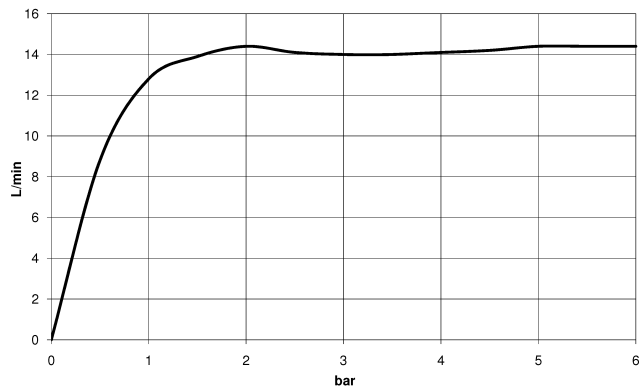
- Concealed wall elbow -** 35 085 970 90
- max. recess depth 163 mm
 - min. recess depth 90 mm

28 649 670

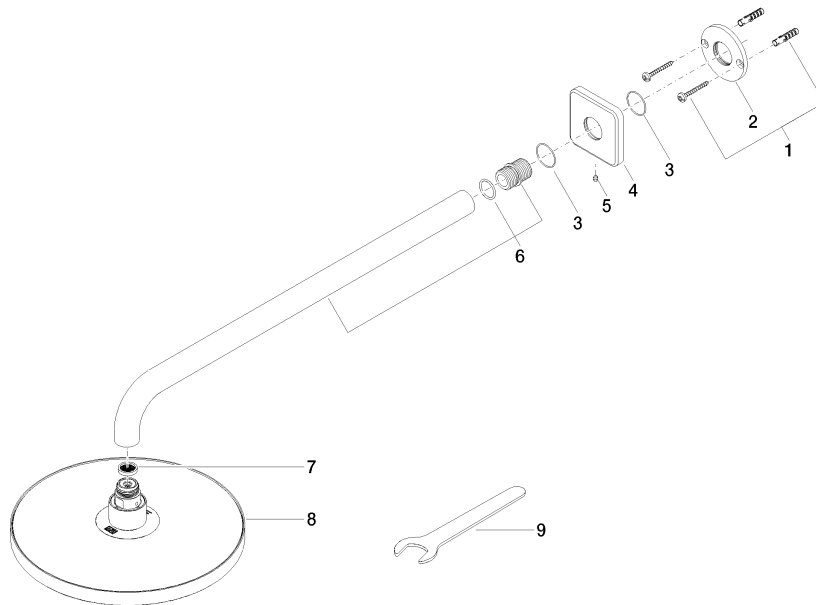
mm [inches]



Flow rate chart



28 649 670



Spare parts list

| No. | Item Number | Name | Quantity used | Delivery time |
|-----|--------------------|------------|---------------|---------------|
| 1 | 04 30 31 032 00 90 | fixing set | 1 | 2 |
| 2 | 09 17 20 120 90 | holder | 1 | 2 |
| 3 | 09 14 10 150 90 | seal | 2 | 2 |
| 4 | 09 27 67 015-93 | rosette | 1 | 20 |
| 5 | 90 31 11 038 00 90 | pin | 1 | 2 |
| 6 | 90 11 03 070 00-93 | pipe | 1 | 20 |
| 7 | 09 23 01 075 90 | insert | 1 | 2 |
| 8 | 04 12 05 092 00-93 | shower | 1 | 20 |
| 9 | 90 30 09 069 00 90 | key | 1 | 2 |