

## Rain shower with wall fixing 300 mm - Dark Chrome

IMO

28 679 670



- 450mm projection
- rain shower Ø 300 mm
- PURE RAIN, max. flow rate 14 l/min (at 3 bar)
- rosette 65 x 65 mm
- 1/2" connection
- with anti-scale system
- quick clearing
- This product can help a building meet the requirements of Green Building Rating Systems, e.g. LEED®, BREEAM®, DGNB

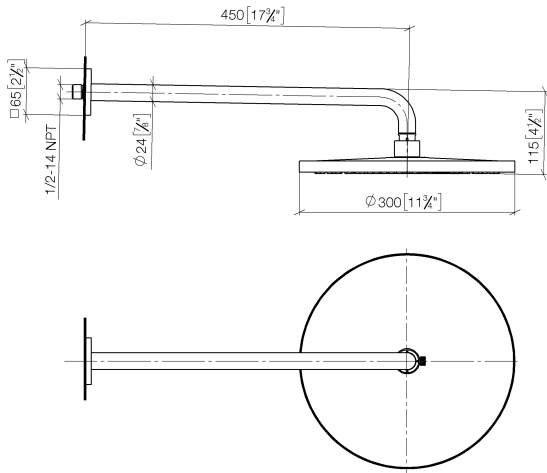
Fits: IMO, CYO

	Dark Chrome	28 679 670-19 0050
	Chrome	28 679 670-00 0050
	Brushed Platinum	28 679 670-06 0050
	Platinum	28 679 670-08 0050
	Brushed Light Gold	28 679 670-27 0050
	Brushed Durabronze (23kt Gold)	28 679 670-28 0050
	Matte Black	28 679 670-33 0050
	Brushed Champagne (22kt Gold)	28 679 670-46 0050
	Champagne (22kt Gold)	28 679 670-47 0050
	Brushed Chrome	28 679 670-93 0050
	Brushed Dark Platinum	28 679 670-99 0050

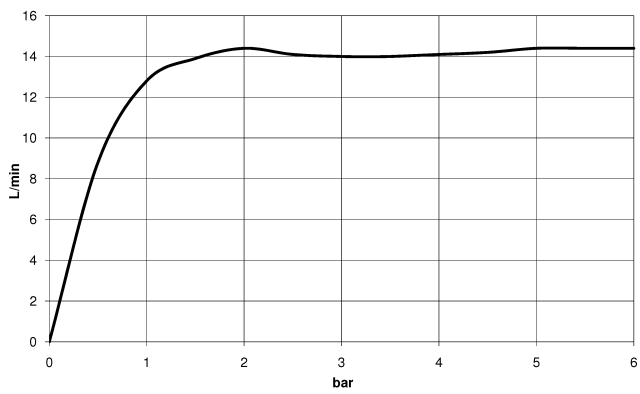
**Rain shower with wall fixing 300 mm - Dark Chrome**

28 679 670

mm [inches]

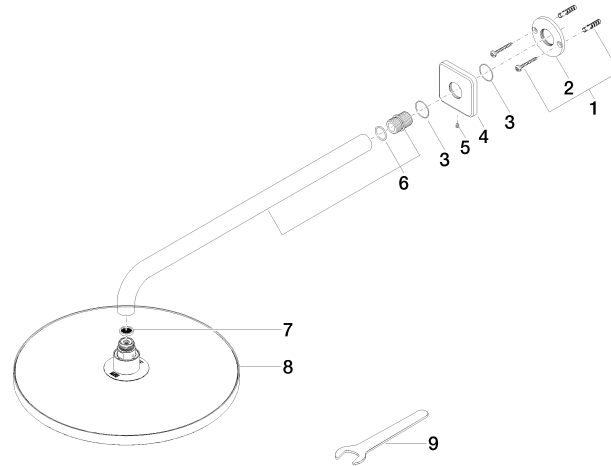


**Flow rate chart**



28 679 670

Parts for other finishes can be found here: [Chrome](#)



### Spare parts list

No.	Item Number	Name	Quantity used	Delivery time
1	04 30 31 032 00 90	fixing set	1	2
2	09 17 20 120 90	holder	1	2
3	09 14 10 150 90	seal	2	2
4	09 27 67 015-19	rosette	1	60
5	90 31 11 038 00 90	pin	1	2
6	90 11 03 070 00-19	pipe	1	20
7	09 23 01 075 90	insert	1	2
8	04 12 05 091 10-19	shower	1	20
9	90 30 09 069 00 90	key	1	2