

**Rain shower with wall fixing 300 mm - Brushed Durabron (23kt Gold)**


IMO

28 679 670



- 450mm projection
- rain shower Ø 300 mm
- PURE RAIN, max. flow rate 14 l/min (at 3 bar)
- Function from: 10 l/min
- rosette 65 x 65 mm
- 1/2" connection
- with anti-scale system
- quick clearing
- WRAS 2212012

Fits: IMO, CYO

	Brushed Durabron (23kt Gold)	28 679 670-28
	Chrome	28 679 670-00 0050
	Brushed Platinum	28 679 670-06 0050
	Platinum	28 679 670-08 0050
	Dark Chrome	28 679 670-19 0050
	Brushed Light Gold	28 679 670-27 0050
	Brushed Durabron (23kt Gold)	28 679 670-28 0050
	Matte Black	28 679 670-33 0050
	Brushed Champagne (22kt Gold)	28 679 670-46 0050
	Champagne (22kt Gold)	28 679 670-47 0050
	Brushed Chrome	28 679 670-93 0050
	Brushed Dark Platinum	28 679 670-99 0050

**Recommended miscellaneous**



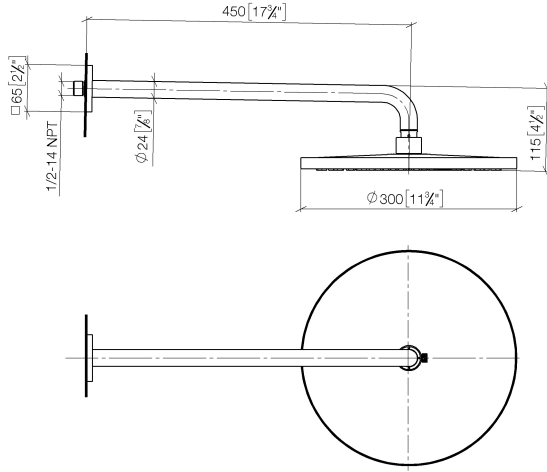
**Concealed wall elbow -**

35 085 970 90

- max. recess depth 163 mm
- min. recess depth 90 mm

28 679 670

mm [inches]



Flow rate chart



Codes & Standards

DIN 4109

ISO 3822

Scottish Water  
Byelaws

UK Water Supply  
Regulations

Ü-Zeichen



Rain shower with wall fixing 300 mm - Brushed Durabronz (23kt Gold)

---

IMO

28 679 670

Certificates

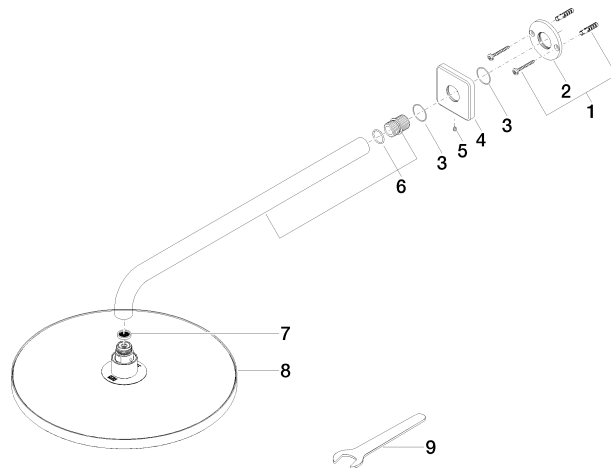
---

LGA\_29

WRAS\_2212

28 679 670

Product version from 3/13/2017





Rain shower with wall fixing 300 mm - Brushed Durabronz (23kt Gold)

IMO

28 679 670

**Spare parts list**

**Product version from 3/13/2017**

No.	Item Number	Name	Quantity used	Delivery time
	04 30 31 032 00 90	fixing set	10	2