

Rain shower with wall fixing 300 x 240 mm - Platinum

MEM

28 765 980



- 450mm projection
- rain shower 300 x 240mm
- PURE RAIN, max. flow rate 6.8 l/min (at 3 bar)
- rosette 60 x 60 mm
- 1/2" connection
- with anti-scale system
- quick clearing
- This product can help a building meet the requirements of Green Building Rating Systems, e.g. LEED®, BREEAM®, DGNB

Fits: MEM, CL.1

	Platinum	28 765 980-08 0050
	Chrome	28 765 980-00 0050
	Brushed Platinum	28 765 980-06 0050
	Dark Chrome	28 765 980-19 0050
	Brushed Light Gold	28 765 980-27 0050
	Brushed Light Gold	28 765 980-27
	Brushed Durabronze (23kt Gold)	28 765 980-28 0050
	Matte Black	28 765 980-33 0050
	Brushed Champagne (22kt Gold)	28 765 980-46 0050
	Champagne (22kt Gold)	28 765 980-47 0050
	Brushed Chrome	28 765 980-93 0050
	Brushed Dark Platinum	28 765 980-99 0050

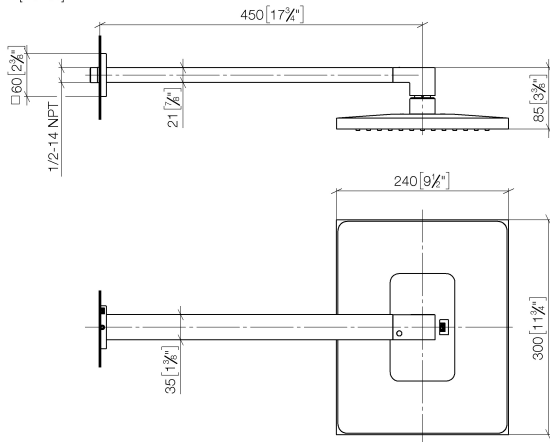
Recommended miscellaneous



- Concealed wall elbow -** 35 085 970 90
- max. recess depth 163 mm
 - min. recess depth 90 mm

28 765 980

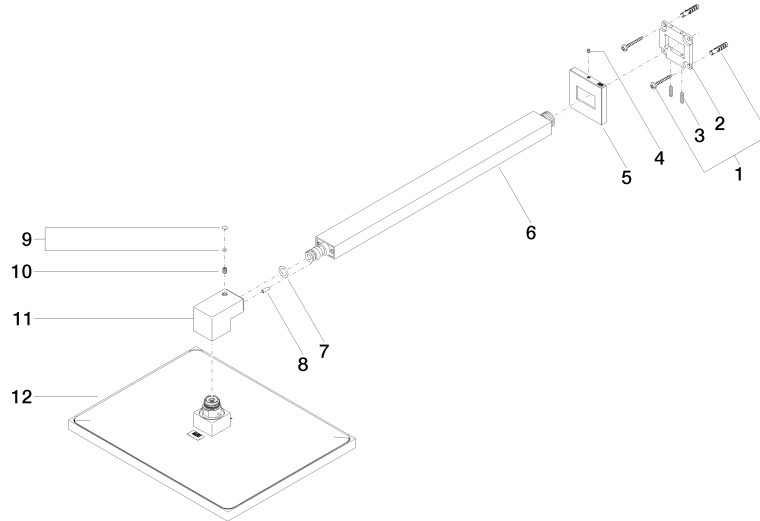
mm [inches]



Flow rate chart



28 765 980



Spare parts list

No.	Item Number	Name	Quantity used	Delivery time
1	04 30 31 032 00 90	fixing set	1	2
2	09 30 11 160 90	disc	1	2
3	09 31 11 084 90	pin	2	2
4	09 31 11 099 90	pin	1	2
5	09 27 98 016-08	rosette	1	40
6	04 28 22 249 00-08	pipe	1	40
7	90 14 10 011 00 90	seal	1	2
8	09 31 11 040 90	pin	1	2
9	90 31 20 087 00-08	plug	1	40
10	09 31 11 036 90	pin	1	2
11	09 17 01 180-08	connection	1	40
12	04 12 05 063 10-08	shower	1	40