

**Rain shower with wall fixing 300 x 240 mm - Brushed Champagne (22kt Gold)**

MEM

28 765 980



- 450mm projection
- rain shower 300 x 240mm
- PURE RAIN, max. flow rate 6.8 l/min (at 3 bar)
- rosette 60 x 60 mm
- 1/2" connection
- with anti-scale system
- quick clearing
- This product can help a building meet the requirements of Green Building Rating Systems, e.g. LEED®, BREEAM®, DGNB

Fits: MEM, CL.1

	Brushed Champagne (22kt Gold)	28 765 980-46 0050
	Chrome	28 765 980-00 0050
	Brushed Platinum	28 765 980-06 0050
	Platinum	28 765 980-08 0050
	Dark Chrome	28 765 980-19 0050
	Brushed Light Gold	28 765 980-27 0050
	Brushed Light Gold	28 765 980-27
	Brushed Durabrass (23kt Gold)	28 765 980-28 0050
	Matte Black	28 765 980-33 0050
	Champagne (22kt Gold)	28 765 980-47 0050
	Brushed Chrome	28 765 980-93 0050
	Brushed Dark Platinum	28 765 980-99 0050

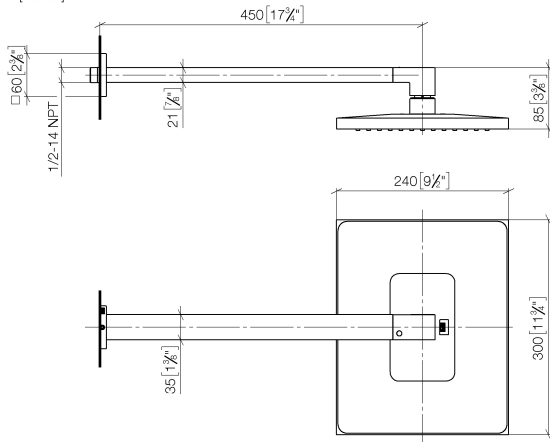
**Recommended miscellaneous**



- Concealed wall elbow -** 35 085 970 90
- max. recess depth 163 mm
  - min. recess depth 90 mm

28 765 980

mm [inches]



Flow rate chart



28 765 980

