

**LULU Rain shower with wall fixing 300 x 240 mm - Chrome**

LULU

28 786 710



- 450mm projection
- PURE RAIN, max. flow rate 6.8 l/min (at 3 bar)
- with anti-scale system
- rain shower 300 x 240mm
- rosette 78 x 60 mm
- 1/2" connection
- quick clearing
- This product can help a building meet the requirements of Green Building Rating Systems, e.g. LEED®, BREEAM®, DGNB

	Chrome	28 786 710-00 0050
	Brushed Platinum	28 786 710-06 0050
	Platinum	28 786 710-08
	Brushed Durabronze (23kt Gold)	28 786 710-28
	Brushed Dark Platinum	28 786 710-99

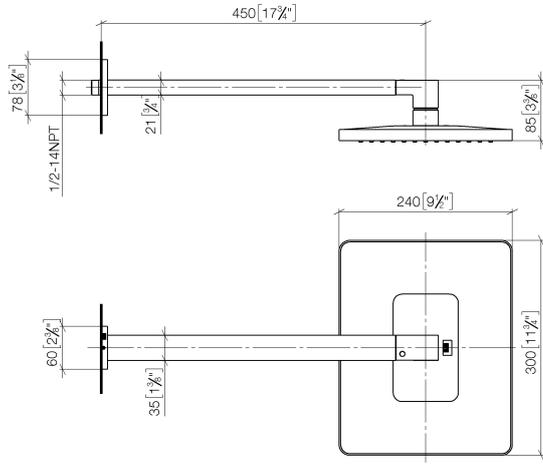
**Recommended miscellaneous**



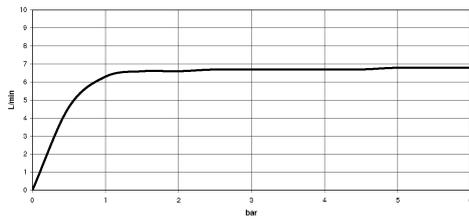
- Concealed wall elbow -** 35 085 970 90
- max. recess depth 163 mm
  - min. recess depth 90 mm

28 786 710

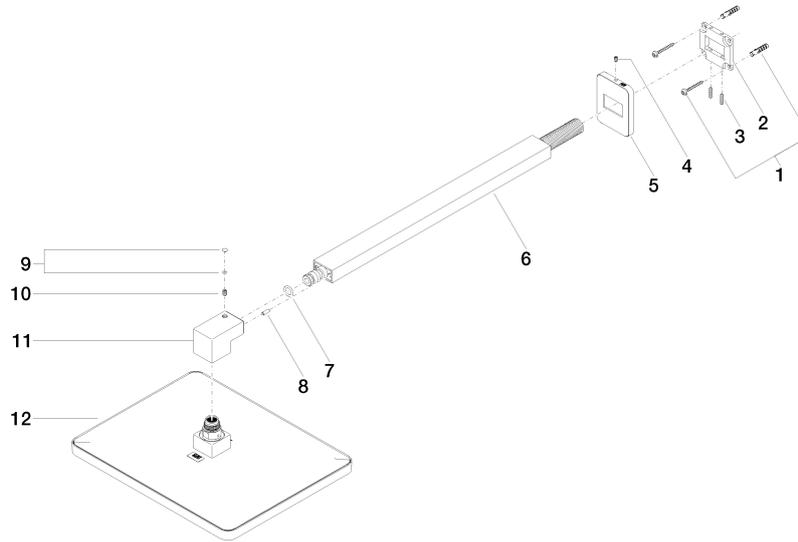
mm [inches]



Flow rate chart



28 786 710



### Spare parts list

No.	Item Number	Name	Quantity used	Delivery time
1	04 30 31 032 00 90	fixing set	1	2
2	09 30 11 160 90	disc	1	2
3	09 31 11 084 90	pin	1	2
4	09 31 11 048 90	pin	1	2
5	09 27 71 019-00	rosette	1	10
6	04 28 22 247 20-00	pipe	1	10
7	90 14 10 011 00 90	seal	1	2
8	09 31 11 040 90	pin	1	2
9	90 31 20 087 00-00	plug	1	10
10	09 31 11 036 90	pin	1	2
11	09 17 01 180-00	connection	1	10
12	04 12 05 062 10-00	shower	1	10