


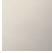



28 786 710



- 450mm projection
- rain shower 300 x 240mm
- PURE RAIN, max. flow rate 20 l/min (at 3 bar)
- Function from: 12 l/min
- rosette 78 x 60 mm
- 1/2" connection
- with anti-scale system
- quick clearing
- WRAS 2212012

Product change as of 1st April 2024: max. flow 20l/min

	Brushed Dark Platinum	28 786 710-99
	Chrome	28 786 710-00 0050
	Brushed Platinum	28 786 710-06 0050
	Platinum	28 786 710-08
	Brushed Durabronze (23kt Gold)	28 786 710-28

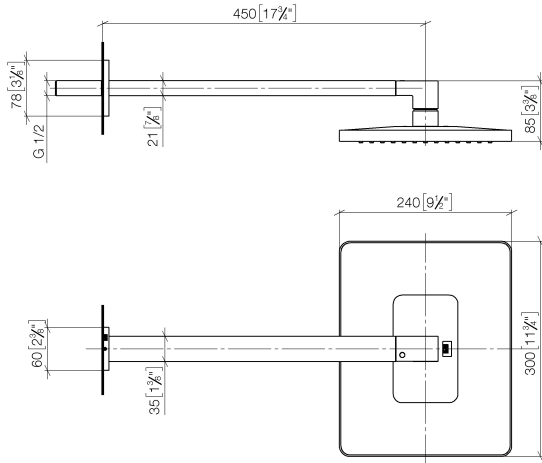
Recommended miscellaneous



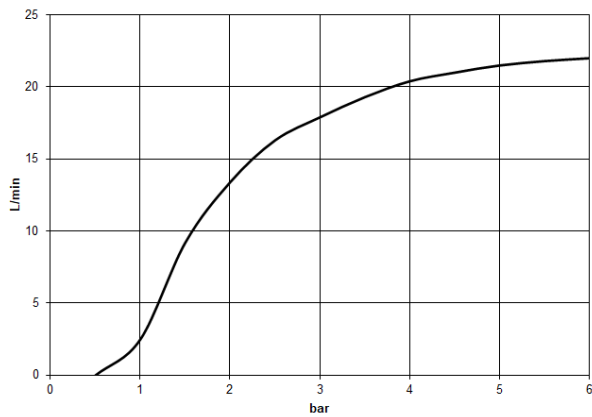
- Concealed wall elbow -** 35 085 970 90
- max. recess depth 163 mm
 - min. recess depth 90 mm

28 786 710

mm [inches]



Flow rate chart



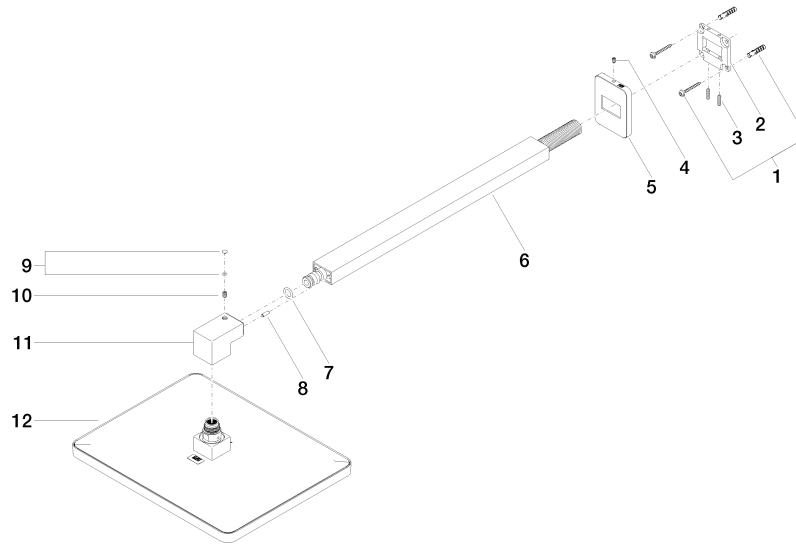
Certificates

LGA_29229.

WRAS_2212012.

LGA_38662.

28 786 710



Spare parts list

No.	Item Number	Name	Quantity used	Delivery time
1	04 30 31 032 00 90	fixing set	1	2
2	09 30 11 160 90	disc	1	2
3	09 31 11 084 90	pin	2	2
4	09 31 11 048 90	pin	1	2
5	09 27 71 019-99	rosette	1	30
6	04 28 22 247 20-99	pipe	1	30
7	90 14 10 011 00 90	seal	1	2
8	09 31 11 040 90	pin	1	2
9	90 31 20 087 00-99	plug	1	30
10	09 31 11 036 90	pin	1	2
11	09 17 01 180-99	connection	1	30
12	04 12 05 062 00-99	shower	1	30