

LOT Two-hole mixer with individual rosettes - Platinum

LOT

32 800 680



- 235mm projection
- pivotable spout 360°
- air-enriched flow
- height of mixer 345 mm
- height up to aerator 319 mm
- individual rosette 55 x 55 mm
- hole diameter spout 35 mm
- single-lever mixer hole diameter 44 mm
- max. flow 8 l/min at 3 bar flow pressure
- lead-free
- WRAS 1909073
- This product can help a building meet the requirements of Green Building Rating Systems, e.g. LEED®, BREEAM®, DGNB

Operating unit can be positioned freely.

	Platinum	32 800 680-08
	Chrome	32 800 680-00
	Brushed Platinum	32 800 680-06
	Dark Chrome	32 800 680-19
	Brushed Durabronz (23kt Gold)	32 800 680-28
	Brushed Champagne (22kt Gold)	32 800 680-46
	Champagne (22kt Gold)	32 800 680-47
	Brushed Dark Platinum	32 800 680-99

Recommended miscellaneous

Dispenser with rosette - Platinum 82 439 970-08

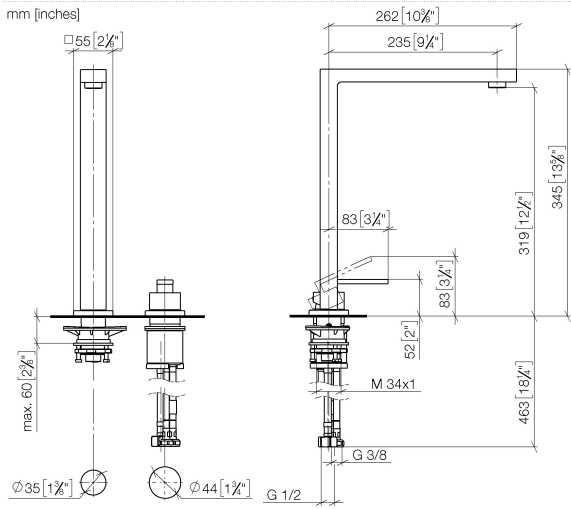


Recommended miscellaneous

Strainer waste with control handle - Platinum 10 711 970-08



32 800 680



Flow rate chart



Codes & Standards

DIN 4109

EN 817

Executive Order
no. 1007

ISO 3822

Scottish Water
Byelaws

UK Water Supply
Regulations

Ü-Zeichen

VA-Zeichen



LOT Two-hole mixer with individual rosettes - Platinum

LOT

32 800 680

Certificates

LGA_18

WRAS_1909

GDV_0400

LGA_18

ETA_18

32 800 680

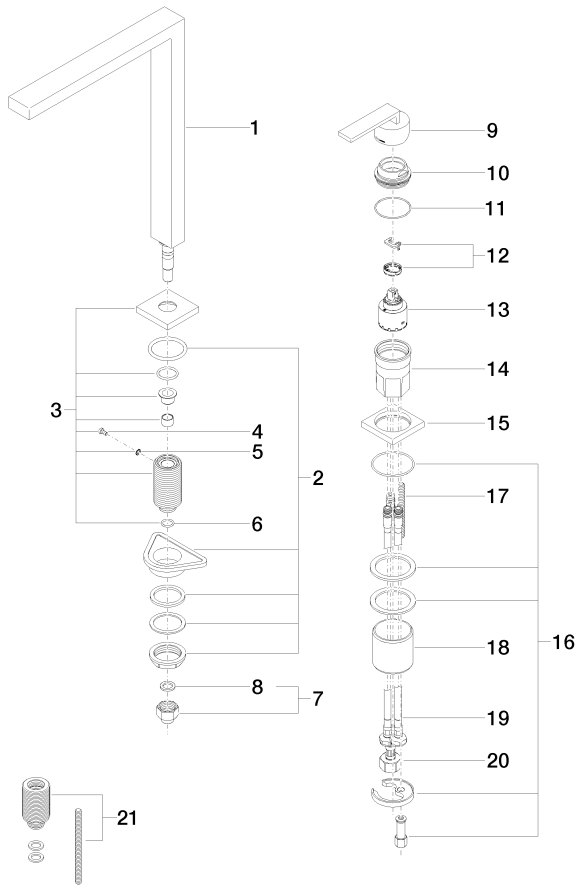
Product version from 5/31/2010 to 3/10/2021

Product version from 3/10/2021 to 5/10/2021

Product version from 5/10/2021

Product version from 6/1/2022

Parts for other finishes can be found here: [Chrome](#)





LOT Two-hole mixer with individual rosettes - Platinum

LOT

32 800 680

Spare parts list

Product version from 5/31/2010 to 3/10/2021

Product version from 3/10/2021 to 5/10/2021

Product version from 5/10/2021

Product version from 6/1/2022

No.	Item Number	Name	Quantity used	Delivery time
	90 11 06 188 06-08	spout	22	40