

32 800 790



- 235mm projection
- pivotable spout 360°
- spout, end-piece with 20° rotation
- air-enriched flow
- height of mixer 337 mm
- height up to aerator 297 mm
- individual rosettes Ø 55mm
- hole diameter spout 35 mm
- single-lever mixer hole diameter 35 mm
- max. flow 8 l/min at 3 bar flow pressure
- lead-free
- This product can help a building meet the requirements of Green Building Rating Systems, e.g. LEED®, BREEAM®, DGNB
- WRAS 2107024

Operating unit can be positioned freely.

|   |                                |               |
|---|--------------------------------|---------------|
|  | Platinum                       | 32 800 790-08 |
|  | Chrome                         | 32 800 790-00 |
|  | Brushed Platinum               | 32 800 790-06 |
|  | Dark Chrome                    | 32 800 790-19 |
|  | Brushed Durabronze (23kt Gold) | 32 800 790-28 |
|  | Brushed Champagne (22kt Gold)  | 32 800 790-46 |
|  | Champagne (22kt Gold)          | 32 800 790-47 |
|  | Brushed Chrome                 | 32 800 790-93 |
|  | Brushed Dark Platinum          | 32 800 790-99 |

**Recommended miscellaneous**

**Strainer waste with control handle - Platinum** 10 710 970-08

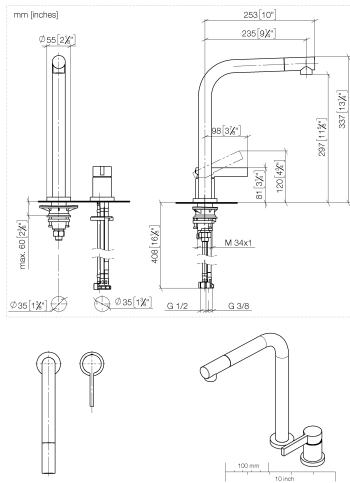


**Recommended miscellaneous**

**Dispenser with rosette - Platinum** 82 444 970-08



32 800 790



**Flow rate chart**



**Certificates**

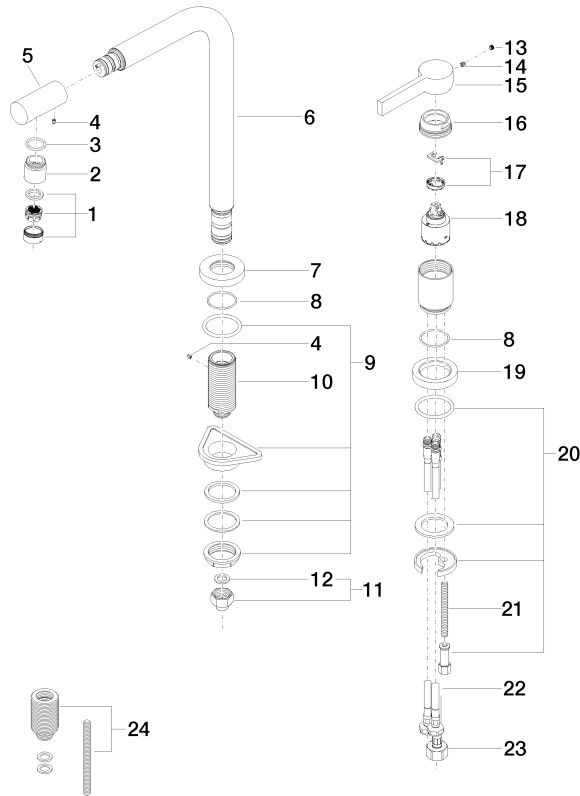
LGA\_18255.

ETA\_18983.

WRAS\_2107024.

32 800 790

Parts for other finishes can be found here: [Chrome](#)



32 800 790

Spare parts list

| No. | Item Number        | Name            | Quantity used | Delivery time |
|-----|--------------------|-----------------|---------------|---------------|
| 1   | 90 23 01 026 07-08 | aerator         | 1             | 40            |
| 2   | 09 24 04 164 10-08 | nipple          | 1             | 40            |
| 3   | 09 14 10 100 90    | seal            | 1             | 2             |
| 4   | 09 31 11 044 90    | pin             | 2             | 2             |
| 5   | 09 24 04 163 10-08 | nipple          | 1             | 60            |
| 6   | 90 28 22 188 00-08 | spout           | 1             | 40            |
| 7   | 09 27 79 001-08    | rosette         | 1             | 40            |
| 8   | 09 14 10 102 90    | seal            | 2             | 2             |
| 9   | 04 23 10 044 01 90 | fixing set      | 1             | 2             |
| 10  | 09 30 01 094 10-08 | adaptor         | 1             | 40            |
| 11  | 04 24 04 166 10 90 | nipple          | 1             | 2             |
| 12  | 90 14 20 002 00 90 | seal            | 1             | 2             |
| 13  | 90 31 20 109 00 90 | plug            | 1             | 2             |
| 14  | 90 31 11 030 00 90 | pin             | 1             | 2             |
| 15  | 09 20 79 040-08    | handle          | 1             | 40            |
| 16  | 09 24 04 141-08    | nut             | 1             | 40            |
| 17  | 90 28 10 148 00 90 | accessories     | 1             | 2             |
| 18  | 90 15 05 061 00 90 | cartridge       | 1             | 60            |
| 19  | 09 28 10 111-08    | rosette         | 1             | 40            |
| 20  | 04 30 11 038 00 90 | fixing set      | 1             | 2             |
| 21  | 09 31 11 011 90    | pin             | 1             | 2             |
| 22  | 04 30 04 104 00 90 | hose            | 2             | 2             |
| 23  | 04 30 04 019 00 90 | hose            | 1             | 2             |
| 24  | 12 802 970 90      | Extension set - | 1             | 60            |