

33 502 660



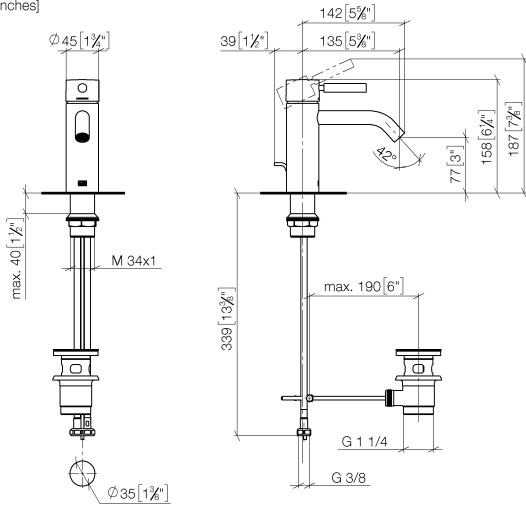
- 135mm projection
- fixed spout
- circular, air-enriched flow
- height of mixer 158 mm
- height up to aerator 77 mm
- hole diameter 35 mm
- 2x screw-in M 8 x 1 pressure hose, leak-tested
- max. flow 5.7 l/min
- lead-free
- This product can help a building meet the requirements of Green Building Rating Systems, e.g. LEED®, BREEAM®, DGNB
- WRAS 2003058

Only suitable for basins with an overflow.

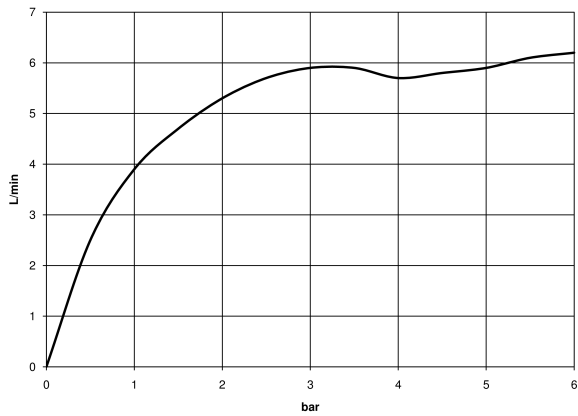
|  |                               |               |
|--|-------------------------------|---------------|
|    | Brushed Light Gold            | 33 502 660-27 |
|    | Chrome                        | 33 502 660-00 |
|    | Brushed Platinum              | 33 502 660-06 |
|    | Dark Chrome                   | 33 502 660-19 |
|    | Light Gold                    | 33 502 660-26 |
|    | Matte Black                   | 33 502 660-33 |
|    | Brushed Bronze                | 33 502 660-42 |
|    | Brushed Champagne (22kt Gold) | 33 502 660-46 |
|   | Champagne (22kt Gold)         | 33 502 660-47 |
|  | Brushed Chrome                | 33 502 660-93 |
|  | Brushed Dark Platinum         | 33 502 660-99 |

33 502 660

mm [inches]



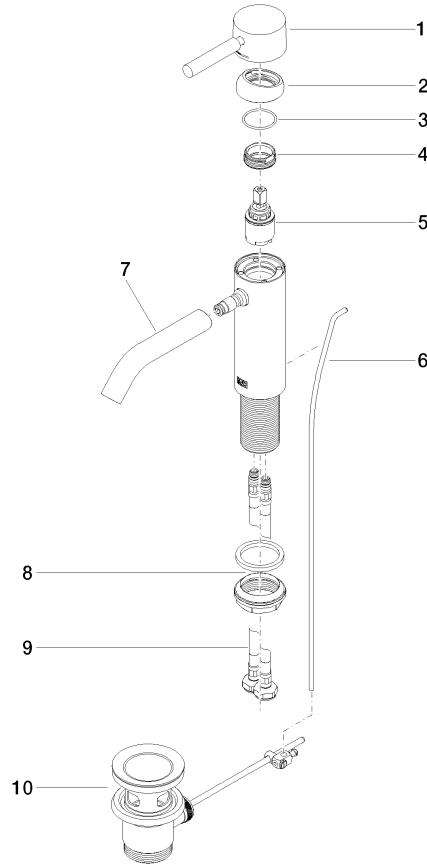
**Flow rate chart**



33 502 660

**Product version from 1/23/2020**

Parts for other finishes can be found here: [Chrome](#)





**META Single-lever basin mixer with pop-up waste - Brushed Light Gold**

META

33 502 660

**Spare parts list**

**Product version from 1/23/2020**

| No. | Item Number        | Name   | Quantity used | Delivery time |
|-----|--------------------|--------|---------------|---------------|
|     | 90 20 66 002 00-27 | handle | 11            | 30            |