

**META Single-lever basin mixer with pop-up waste - Brushed Champagne (22kt Gold)**

META

33 502 660

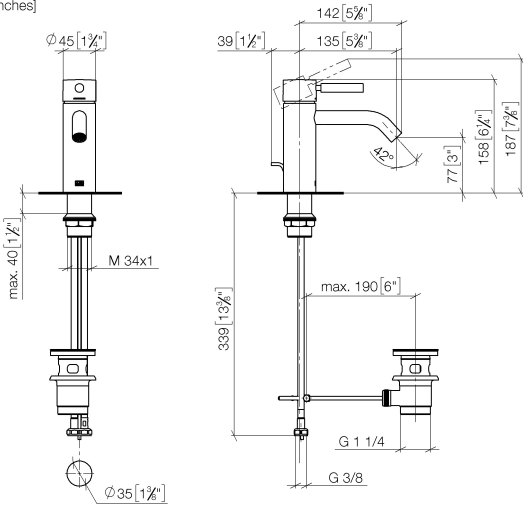


- 135mm projection
- fixed spout
- circular, air-enriched flow
- height of mixer 158 mm
- height up to aerator 77 mm
- hole diameter 35 mm
- 2x screw-in M 8 x 1 pressure hose, leak-tested
- max. flow 5.7 l/min
- lead-free
- This product can help a building meet the requirements of Green Building Rating Systems, e.g. LEED®, BREEAM®, DGNB
- WRAS 2003058

Only suitable for basins with an overflow.

	Brushed Champagne (22kt Gold)	33 502 660-46
	Chrome	33 502 660-00
	Brushed Platinum	33 502 660-06
	Dark Chrome	33 502 660-19
	Light Gold	33 502 660-26
	Brushed Light Gold	33 502 660-27
	Matte Black	33 502 660-33
	Brushed Bronze	33 502 660-42
	Champagne (22kt Gold)	33 502 660-47
	Brushed Chrome	33 502 660-93
	Brushed Dark Platinum	33 502 660-99

33 502 660  
mm [inches]



**Flow rate chart**





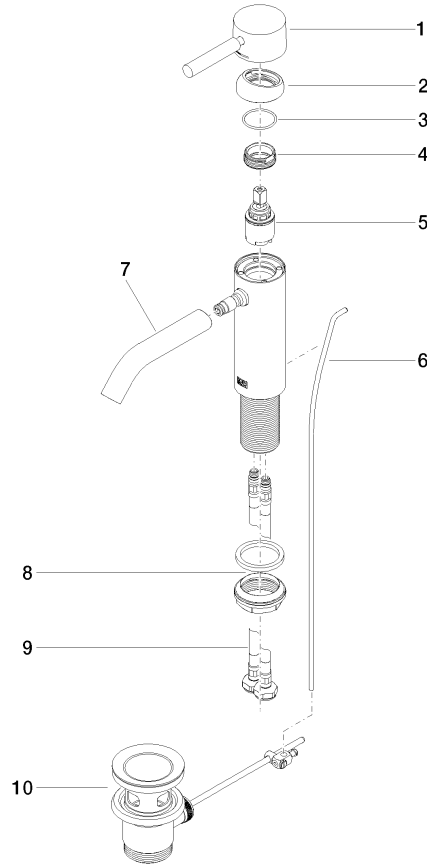
# META Single-lever basin mixer with pop-up waste - Brushed Champagne (22kt Gold)

META

33 502 660

**Product version from 1/23/2020**

Parts for other finishes can be found here: [Chrome](#)





META Single-lever basin mixer with pop-up waste - Brushed Champagne (22kt Gold)

META

33 502 660

### Spare parts list

Product version from 1/23/2020

No.	Item Number	Name	Quantity used	Delivery time
	90 20 66 002 00-46	handle	11	30