
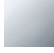






33 600 670

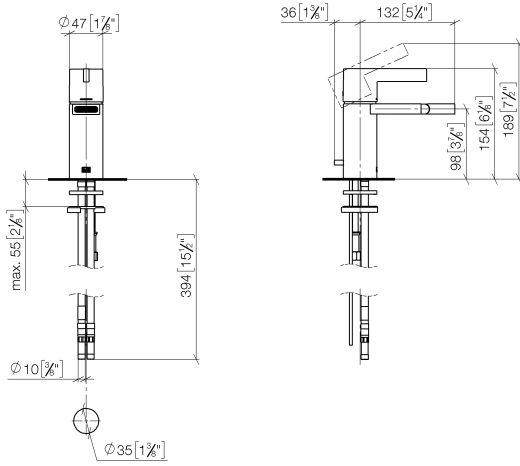


- 130mm projection
- fixed spout
- ball-joint pivotable through 30°
- rectangular, air-enriched flow
- height of mixer 188 mm
- height up to aerator 77 mm
- hole diameter 35 mm
- 2x screw-in M 10 x 1 pressure hose, leak-tested
- max. flow 7 l/min

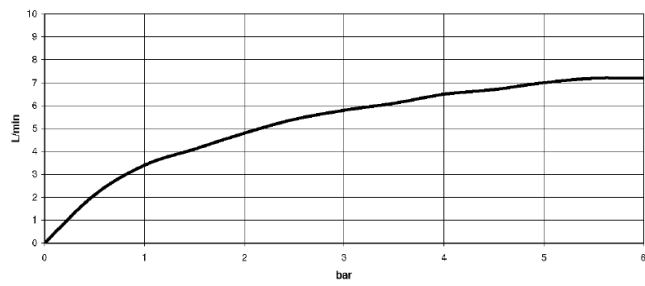
| | | |
|---|-----------------------------------|---------------|
|  | Brushed Dark Platinum | 33 600 670-99 |
|  | Chrome | 33 600 670-00 |
|  | Brushed Platinum | 33 600 670-06 |
|  | Platinum | 33 600 670-08 |
|  | Brushed Durabronze (23kt Gold) | 33 600 670-28 |
|  | Brushed Chrome | 33 600 670-93 |

33 600 670

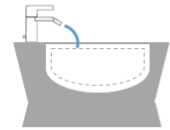
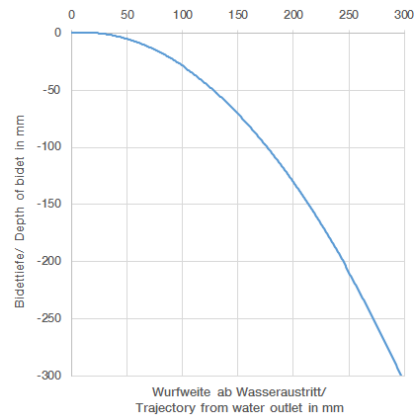
mm [inches]



Flow rate chart



Trajectory diagram

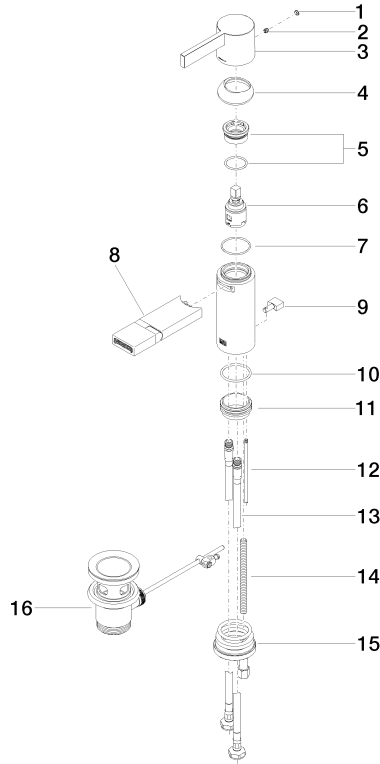


Certificates

LGA_19543.

33 600 670

Parts for other finishes can be found here: [Chrome](#)



Spare parts list

| No. | Item Number | Name | Quantity used | Delivery time |
|-----|--------------------|--------------|---------------|---------------|
| 1 | 90 31 20 087 00-99 | plug | 1 | 30 |
| 2 | 90 31 11 030 00 90 | pin | 1 | 2 |
| 3 | 09 20 67 003-99 | handle | 1 | 30 |
| 4 | 09 28 30 019-99 | cover | 1 | 30 |
| 5 | 90 23 10 066 00 90 | nut | 1 | 2 |
| 6 | 90 15 05 042 00 90 | cartridge | 1 | 2 |
| 7 | 09 14 10 102 90 | seal | 1 | 2 |
| 8 | 90 28 22 246 00-99 | spout | 1 | 30 |
| 9 | 09 20 67 002-99 | handle | 1 | 30 |
| 10 | 09 14 10 119 90 | seal | 1 | 2 |
| 11 | 09 28 10 109-07 | ring | 1 | 30 |
| 12 | 09 31 09 080-99 | pull-rod | 1 | 30 |
| 13 | 04 30 04 104 00 90 | hose | 2 | 2 |
| 14 | 09 31 11 012 90 | pin | 1 | 2 |
| 15 | 04 30 11 085 88 90 | fixing set | 1 | 2 |
| 16 | 90 11 01 001 00-99 | pop-up waste | 1 | 30 |