

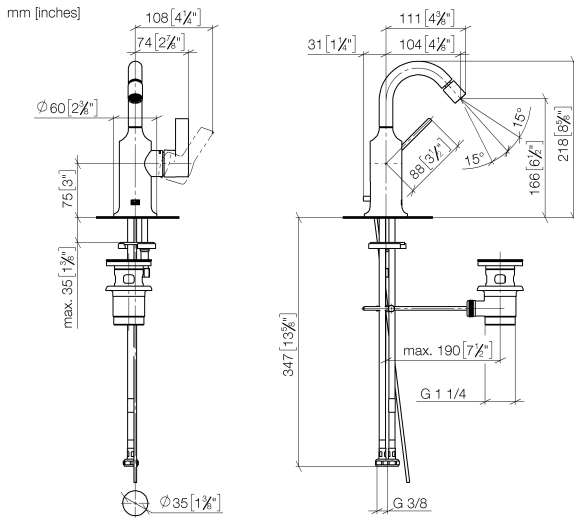
33 600 809



- 104mm projection
- ball-joint pivotable through 15° (in any direction)
- circular, air-enriched flow
- height of mixer 218 mm
- height up to aerator 166 mm
- hole diameter 35 mm
- rosette Ø 60 mm
- 2x screw-in M 10 x 1 pressure hose, leak-tested
- max. flow 5.7 l/min
- lead-free
- WRAS 240202026

	Dark Chrome	33 600 809-19
	Chrome	33 600 809-00
	Brushed Platinum	33 600 809-06
	Platinum	33 600 809-08
	Brushed Durabronze (23kt Gold)	33 600 809-28
	Brushed Champagne (22kt Gold)	33 600 809-46
	Champagne (22kt Gold)	33 600 809-47
	Brushed Dark Platinum	33 600 809-99

33 600 809



Flow rate chart



Certificates

LGA_38659.

WRAS_240202026.

33 600 809

Parts for other
finishes can be found
here: [Chrome](#)

