


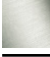
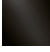


33 600 845

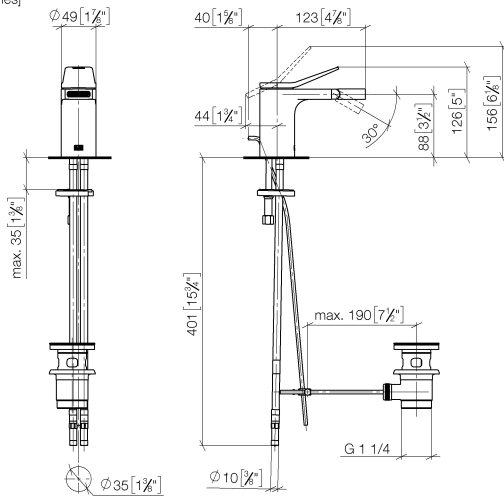


- 123mm projection
- ball-joint pivotable through 30°
- rectangular, air-enriched flow
- height of mixer 127 mm
- height up to aerator 83 mm
- hole diameter 35 mm
- 2x screw-in M 8 x 1 pressure hose, leak-tested
- max. flow 6 l/min

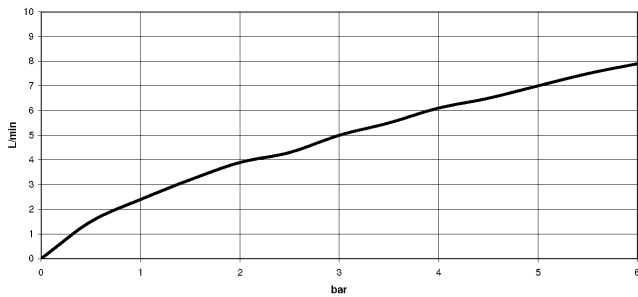
	Brushed Platinum	33 600 845-06
	Chrome	33 600 845-00
	Dark Chrome	33 600 845-19
	Brushed Chrome	33 600 845-93
	Brushed Dark Platinum	33 600 845-99

33 600 845

mm [inches]



Flow rate chart



Certificates

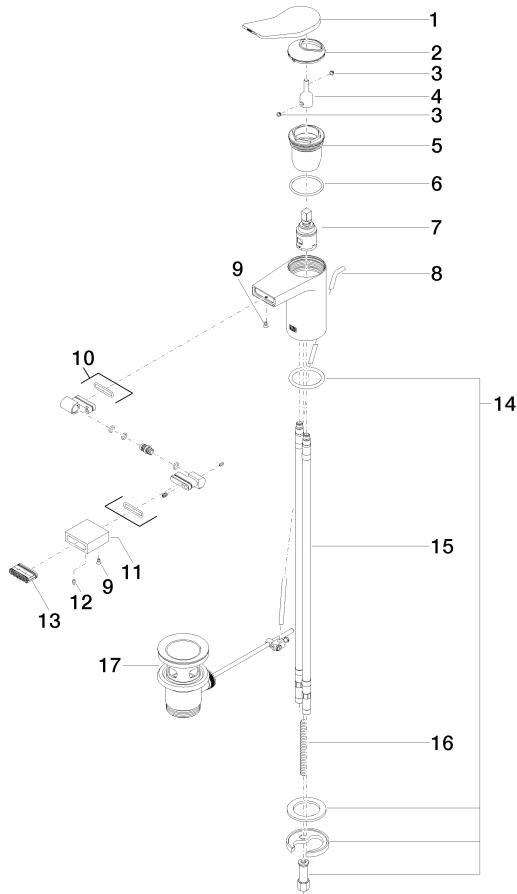
LGA_29009.

WRAS_1804055.

WRAS_240202012.

33 600 845

Parts for other finishes can be found here: [Chrome](#)



Spare parts list

No.	Item Number	Name	Quantity used	Delivery time
1	90 20 84 020 00-06	handle	1	10
2	09 28 30 034 90	cover	1	2
3	90 31 11 063 00 90	pin	2	2
4	09 29 06 117-07	extension	1	30
5	09 23 10 123 90	nut	1	2
6	09 14 10 038 90	seal	1	2
7	90 15 05 042 00 90	cartridge	1	2
8	09 31 09 120-06	pull-rod	1	10
9	09 30 30 157 90	screw	2	2
10	90 24 02 083 00-06	joint	1	10
11	09 23 01 123-06	sleeve	1	10
12	09 31 11 064 90	pin	1	2
13	90 29 03 045 00 90	aerator	1	2
14	04 30 11 038 75 90	fixing set	1	2
15	04 30 04 018 00 90	hose	2	60
16	09 31 11 011 90	pin	1	2
17	90 11 01 001 00-06	pop-up waste	1	10