

33 800 760



- 220mm projection
- pivotable spout 130°
- air-enriched flow
- height of mixer 167 mm
- height up to aerator 145 mm
- hole diameter 35 mm
- max. flow 8 l/min at 3 bar flow pressure
- lead-free
- This product can help a building meet the requirements of Green Building Rating Systems, e.g. LEED®, BREEAM®, DGNB
- WRAS 1904015

	Chrome	33 800 760-00
	Brushed Platinum	33 800 760-06
	Platinum	33 800 760-08
	Dark Chrome	33 800 760-19
	Brushed Durabronze (23kt Gold)	33 800 760-28
	Brushed Champagne (22kt Gold)	33 800 760-46
	Champagne (22kt Gold)	33 800 760-47
	Brushed Chrome	33 800 760-93
	Brushed Dark Platinum	33 800 760-99

Recommended miscellaneous

Strainer waste with control handle - Chrome 10 712 970-00

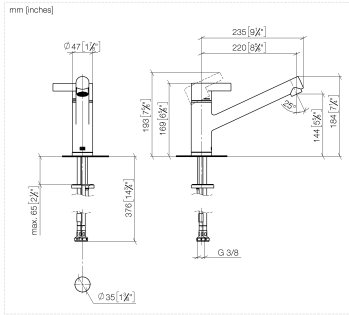


Recommended miscellaneous

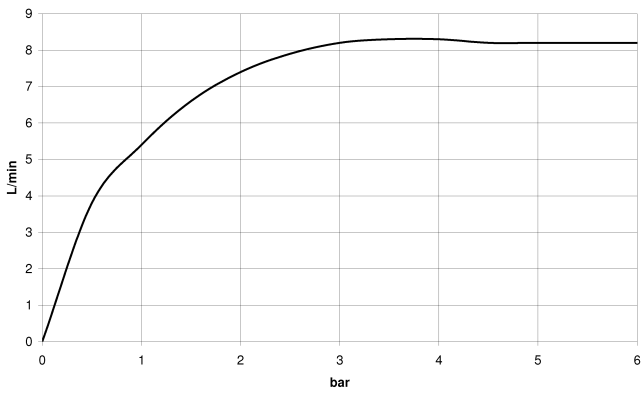
Dispenser without rosette - Chrome 82 424 970-00



33 800 760



Flow rate chart



Codes & Standards

DIN 4109

EN 817

Executive Order
no. 1007

ISO 3822

Scottish Water
Byelaws

UK Water Supply
Regulations

Ü-Zeichen

VA-Zeichen



ENO Single-lever mixer - Chrome

ENO

33 800 760

Certificates

GDV_0400

LGA_19

ETA_20

WRAS_1904

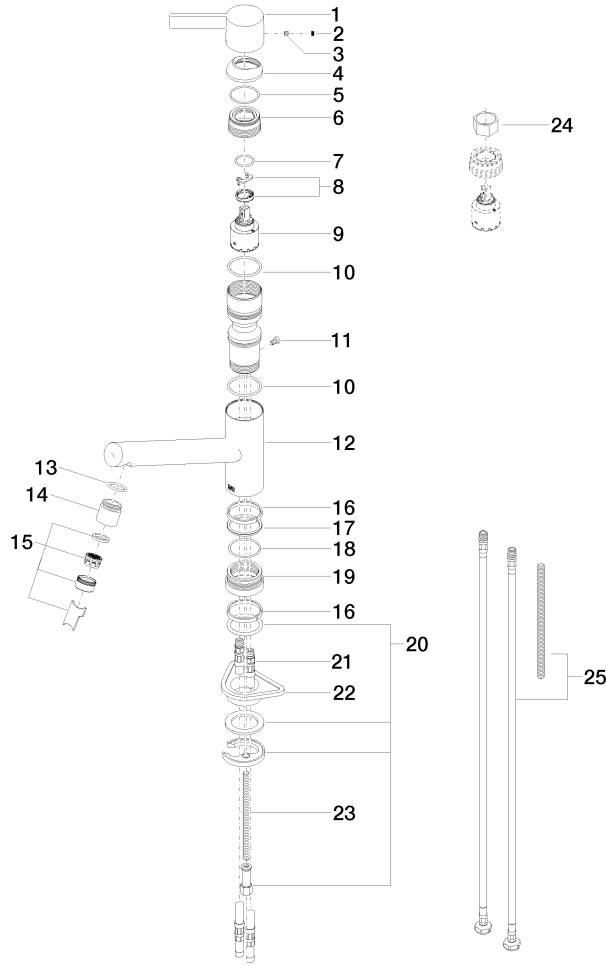
33 800 760

Product version up to 5/15/2020

Product version from 5/15/2020 to 3/10/2021

Product version from 3/10/2021 to 5/6/2021

Product version from 5/6/2021





ENO Single-lever mixer - Chrome

ENO

33 800 760

Spare parts list

Product version up to 5/15/2020

Product version from 5/15/2020 to 3/10/2021

Product version from 3/10/2021 to 5/6/2021

Product version from 5/6/2021

No.	Item Number	Name	Quantity used	Delivery time
	09 20 76 001-00	handle	26	10