

33 800 760



- 220mm projection
- pivotable spout 130°
- air-enriched flow
- height of mixer 167 mm
- height up to aerator 145 mm
- hole diameter 35 mm
- max. flow 8 l/min at 3 bar flow pressure
- lead-free
- This product can help a building meet the requirements of Green Building Rating Systems, e.g. LEED®, BREEAM®, DGNB
- WRAS 1904015

	Champagne (22kt Gold)	33 800 760-47
	Chrome	33 800 760-00
	Brushed Platinum	33 800 760-06
	Platinum	33 800 760-08
	Dark Chrome	33 800 760-19
	Brushed Durabronze (23kt Gold)	33 800 760-28
	Brushed Champagne (22kt Gold)	33 800 760-46
	Brushed Chrome	33 800 760-93
	Brushed Dark Platinum	33 800 760-99

**Recommended miscellaneous**

**Dispenser without rosette - Champagne (22kt Gold)** 82 424 970-47

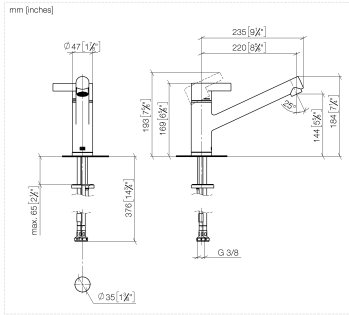


**Recommended miscellaneous**

**Strainer waste with control handle - Champagne (22kt Gold)** 10 712 970-47



33 800 760



**Flow rate chart**



**Codes & Standards**

DIN 4109

Executive Order  
no. 1007

ISO 3822

Ü-Zeichen



## ENO Single-lever mixer - Champagne (22kt Gold)

---

ENO

33 800 760

### Certificates

---

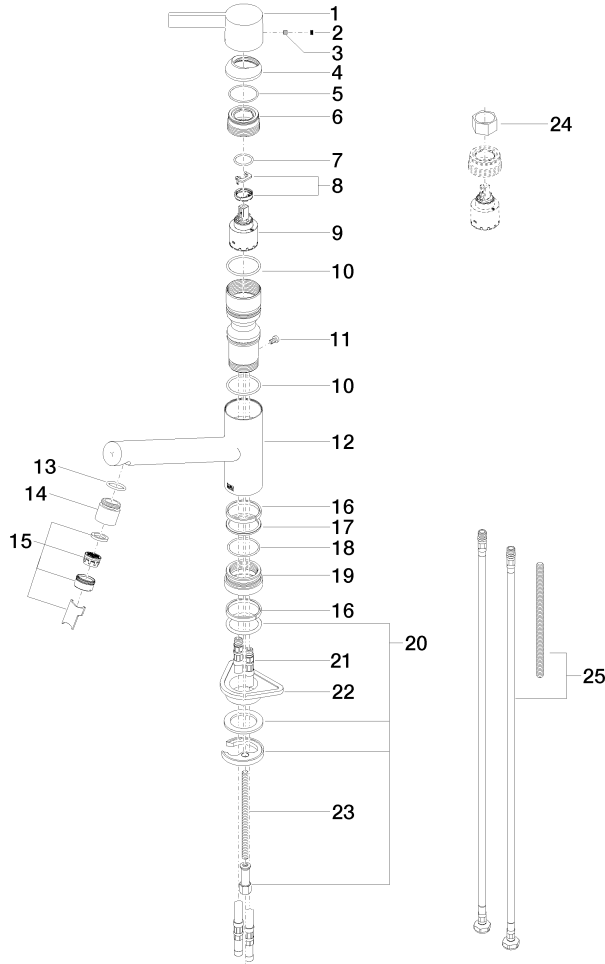
GDV\_0400

LGA\_19

33 800 760

**Product version from 5/6/2021**

Parts for other finishes can be found here: Chrome





ENO Single-lever mixer - Champagne (22kt Gold)

ENO

33 800 760

## **Spare parts list**

**Product version from 5/6/2021**