

33 800 861




- 200mm projection
- pivotable spout 360°
- Optional swivel limiter available with swivel limiter set 12 820 970 90
- air-enriched flow
- max. flow 8 l/min at 3 bar flow pressure
- lead-free
- This product can help a building meet the requirements of Green Building Rating Systems, e.g. LEED®, BREEAM®, DGNB
- WRAS 240102021

	Brushed Champagne (22kt Gold)	33 800 861-46
	Chrome	33 800 861-00
	Brushed Platinum	33 800 861-06
	Platinum	33 800 861-08
	Durabass (23kt Gold)	33 800 861-09
	Dark Chrome	33 800 861-19
	Brushed Durabass (23kt Gold)	33 800 861-28
	Matte Black	33 800 861-33
	Champagne (22kt Gold)	33 800 861-47
	Brushed Chrome	33 800 861-93
	Brushed Dark Platinum	33 800 861-99


Recommended miscellaneous

	Swivel limitation set -	12 820 970 90
---	--------------------------------	---------------

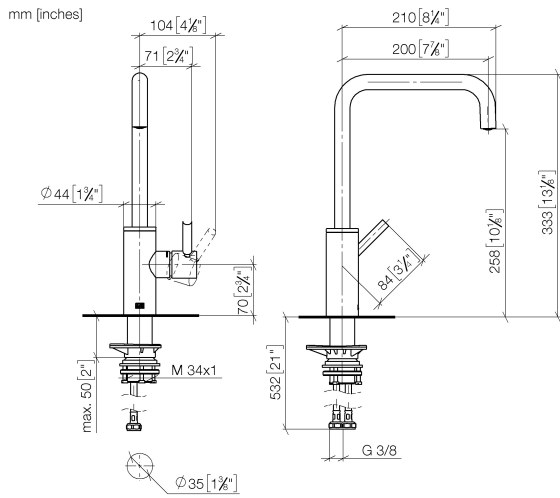
Recommended miscellaneous

	Dispenser without rosette - Brushed Champagne (22kt Gold)	82 424 970-46
---	--	---------------

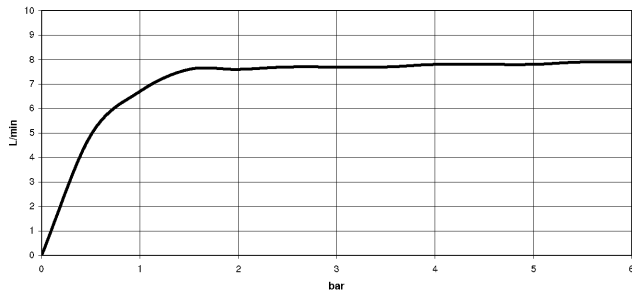
Recommended miscellaneous

	Strainer waste with control handle - Brushed Champagne (22kt Gold)	10 712 970-46
---	---	---------------

33 800 861



Flow rate chart



Certificates

LGA_38642.

WRAS_240102021.

33 800 861

