

33 815 861




- 235mm projection
- pivotable spout 360°
- Optional swivel limiter available with swivel limiter set 12 820 970 90
- air-enriched flow
- max. flow 8 l/min at 3 bar flow pressure
- lead-free
- This product can help a building meet the requirements of Green Building Rating Systems, e.g. LEED®, BREEAM®, DGNB
- WRAS 240102021

| | | |
|---|-------------------------------|---------------|
|  | Brushed Durabron (23kt Gold) | 33 815 861-28 |
|  | Chrome | 33 815 861-00 |
|  | Brushed Platinum | 33 815 861-06 |
|  | Platinum | 33 815 861-08 |
|  | Durabron (23kt Gold) | 33 815 861-09 |
|  | Dark Chrome | 33 815 861-19 |
|  | Matte Black | 33 815 861-33 |
|  | Brushed Champagne (22kt Gold) | 33 815 861-46 |
|  | Champagne (22kt Gold) | 33 815 861-47 |
|  | Brushed Chrome | 33 815 861-93 |
|  | Brushed Dark Platinum | 33 815 861-99 |

Recommended miscellaneous

| | | |
|---|--------------------------------|---------------|
|  | Swivel limitation set - | 12 820 970 90 |
|---|--------------------------------|---------------|

Recommended miscellaneous

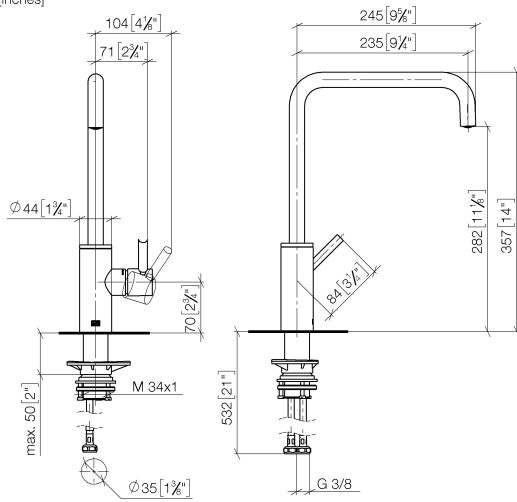
| | | |
|---|--|---------------|
|  | Strainer waste with control handle - Brushed Durabron (23kt Gold) | 10 712 970-28 |
|---|--|---------------|

Recommended miscellaneous

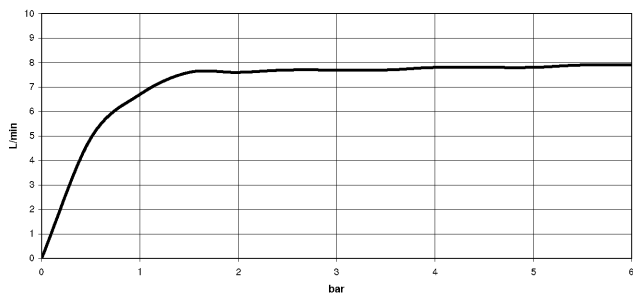
| | | |
|---|---|---------------|
|  | Dispenser without rosette - Brushed Durabron (23kt Gold) | 82 424 970-28 |
|---|---|---------------|

33 815 861

mm [inches]



Flow rate chart

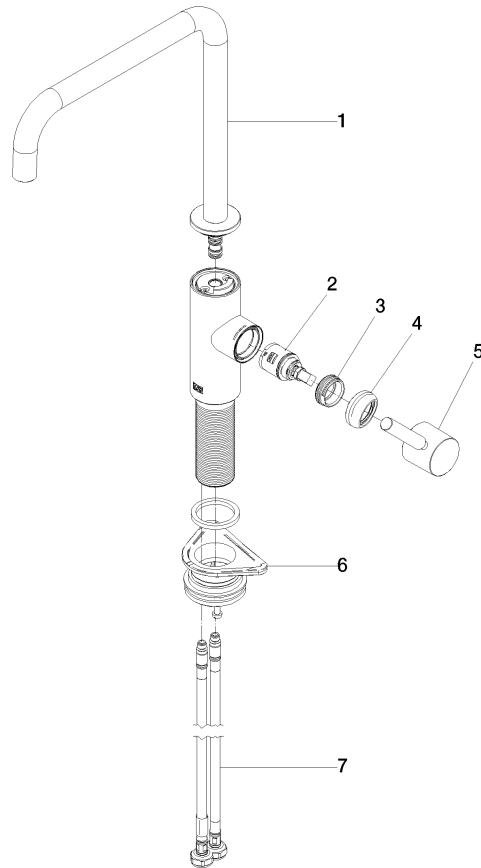


Certificates

LGA_38642.

WRAS_240102021.

33 815 861



Spare parts list

| No. | Item Number | Name | Quantity used | Delivery time |
|-----|--------------------|------------|---------------|---------------|
| 1 | 90 28 22 284 00-28 | spout | 1 | 20 |
| 2 | 90 15 05 042 00 90 | cartridge | 1 | 2 |
| 3 | 09 24 04 266 90 | nut | 1 | 2 |
| 4 | 90 28 30 052 00-28 | cover | 1 | 20 |
| 5 | 90 20 66 033 00-28 | handle | 1 | 20 |
| 6 | 04 23 10 044 08 90 | fixing set | 1 | 2 |
| 7 | 04 30 04 101 00 90 | hose | 2 | 2 |