

33 845 760



- 220mm projection
- pivotable spout 130°
- air-enriched flow
- height of mixer 288 mm
- height up to aerator 187 mm
- hole diameter 35 mm
- 1600mm metal shower hose
- max. flow 10 l/min at 3 bar flow pressure
- lead-free
- This product can help a building meet the requirements of Green Building Rating Systems, e.g. LEED®, BREEAM®, DGNB

Intrinsic protection against back flow.

| | | |
|-----------------------------------------------------------------------------------|--------------------------------|---------------|
|  | Brushed Champagne (22kt Gold) | 33 845 760-46 |
|  | Chrome | 33 845 760-00 |
|  | Brushed Platinum | 33 845 760-06 |
|  | Platinum | 33 845 760-08 |
|  | Dark Chrome | 33 845 760-19 |
|  | Brushed Durabronze (23kt Gold) | 33 845 760-28 |
|  | Champagne (22kt Gold) | 33 845 760-47 |
|  | Brushed Chrome | 33 845 760-93 |
|  | Brushed Dark Platinum | 33 845 760-99 |

Recommended miscellaneous

Dispenser without rosette - 82 424 970-46
Brushed Champagne (22kt Gold)

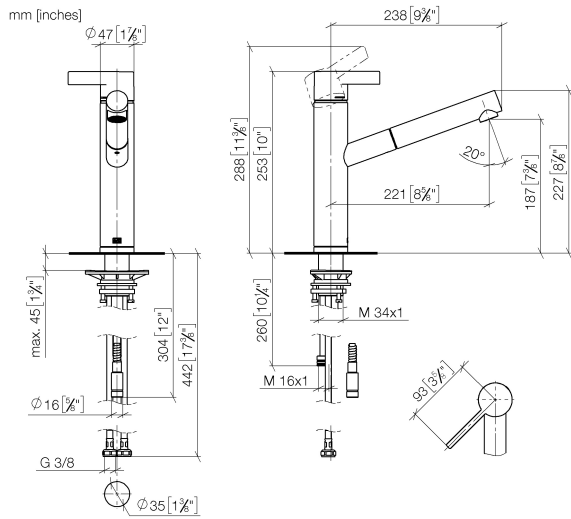


Recommended miscellaneous

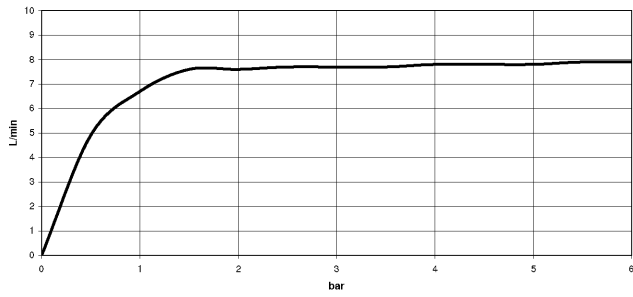
Strainer waste with control handle 10 712 970-46
- Brushed Champagne (22kt Gold)



33 845 760



Flow rate chart



Certificates

GDV_0400282.

33 845 760

Parts for other finishes can be found here: [Chrome](#)





ENO Single-lever mixer Pull-out - Brushed Champagne (22kt Gold)

ENO

33 845 760

Spare parts list

| No. | Item Number | Name | Quantity used | Delivery time |
|-----|--------------------|-------------|---------------|---------------|
| 1 | 09 20 76 001-46 | handle | 1 | 30 |
| 2 | 90 31 20 109 00 90 | plug | 1 | 2 |
| 3 | 90 31 11 030 00 90 | pin | 1 | 2 |
| 4 | 09 28 30 012-46 | cover | 1 | 30 |
| 5 | 09 14 10 102 90 | seal | 1 | 2 |
| 6 | 09 24 04 270 90 | nut | 1 | 2 |
| 7 | 90 28 10 148 00 90 | accessories | 1 | 2 |
| 8 | 90 15 05 064 00 90 | cartridge | 1 | 2 |
| 9 | 04 30 02 121 00-85 | hose | 1 | 30 |
| 10 | 90 24 03 255 00-46 | sleeve | 1 | 30 |
| 11 | 09 23 01 039 90 | sieve | 1 | 2 |
| 12 | 04 12 11 106 00-46 | shower | 1 | 30 |
| 13 | 09 14 15 029 90 | ring | 1 | 2 |
| 14 | 09 28 10 144 90 | ring | 1 | 2 |
| 15 | 09 14 10 034 90 | seal | 1 | 2 |
| 16 | 09 27 76 001-46 | rosette | 1 | 30 |
| 17 | 09 14 10 036 90 | seal | 1 | 2 |
| 18 | 04 30 04 098 00 90 | hose | 2 | 60 |
| 19 | 04 30 11 040 00 90 | fixing set | 1 | 2 |
| 20 | 04 28 20 067 00 90 | pipe | 1 | 2 |
| 21 | 04 21 50 010 00 90 | accessories | 1 | 2 |
| 22 | 09 30 03 038 90 | hose | 1 | 2 |
| 23 | 90 24 03 253 00 90 | adaptor | 1 | 2 |
| 24 | 90 30 09 031 00 90 | key | 1 | 2 |