

33 865 895



- 200mm projection
- Flexible silicone hose with large operating range of up to 350 mm
- pivotable spout 360°
- Optional swivel limiter available with swivel limiter set 12 821 970 90
- This product can help a building meet the requirements of Green Building Rating Systems, e.g. LEED®, BREEAM®, DGNB
- air-enriched flow and spray flow
- height of mixer 451 mm
- height up to aerator 119 mm
- hole diameter 35 mm
- sprayface with anti-scaling system
- max. flow 9.5 l/min at 3 bar flow pressure
- lead-free

Intrinsic protection against back flow.

|   |                                |               |
|---|--------------------------------|---------------|
|    | Champagne (22kt Gold)          | 33 865 895-47 |
|    | Chrome                         | 33 865 895-00 |
|    | Brushed Platinum               | 33 865 895-06 |
|    | Platinum                       | 33 865 895-08 |
|    | Durabronze (23kt Gold)         | 33 865 895-09 |
|    | Dark Chrome                    | 33 865 895-19 |
|    | Brushed Durabronze (23kt Gold) | 33 865 895-28 |
|    | Matte Black                    | 33 865 895-33 |
|    | Brushed Champagne (22kt Gold)  | 33 865 895-46 |
|  | Brushed Chrome                 | 33 865 895-93 |
|  | Brushed Dark Platinum          | 33 865 895-99 |

**Recommended miscellaneous**

**Swivel limitation set -** 12 821 970 90



**Recommended miscellaneous**

**Dispenser without rosette - Champagne (22kt Gold)** 82 424 970-47



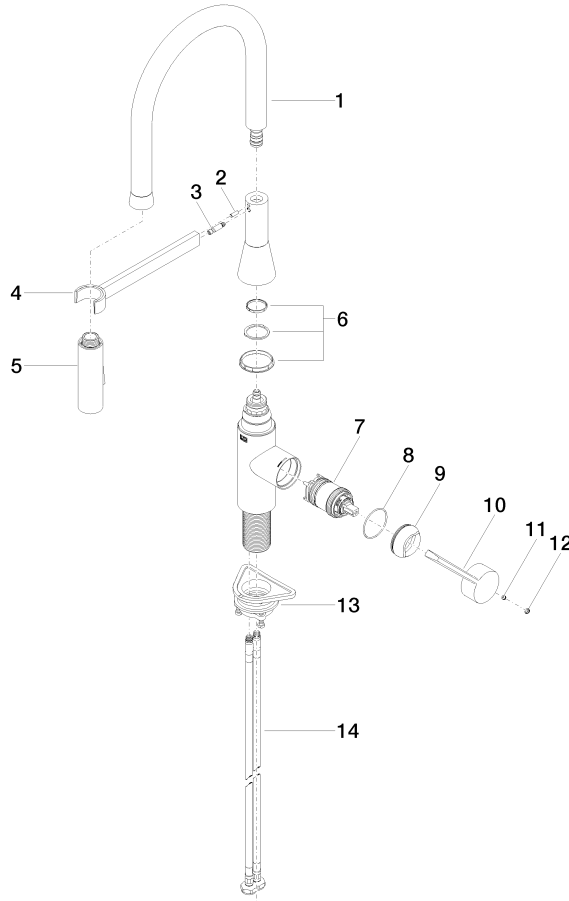
**Recommended miscellaneous**

**Strainer waste with control handle - Champagne (22kt Gold)** 10 712 970-47





33 865 895



### Spare parts list

| No. | Item Number        | Name       | Quantity used | Delivery time |
|-----|--------------------|------------|---------------|---------------|
| 1   | 90 30 02 100 00-47 | hose       | 1             | 30            |
| 2   | 09 31 11 040 90    | pin        | 1             | 2             |
| 3   | 09 31 11 209 90    | pin        | 1             | 2             |
| 4   | 90 17 20 045 00-47 | holder     | 1             | 30            |
| 5   | 04 12 11 150 00 90 | shower     | 1             | 2             |
| 6   | 90 28 10 161 00 90 | set        | 1             | 2             |
| 7   | 90 15 05 064 05 90 | cartridge  | 1             | 2             |
| 8   | 09 14 10 190 90    | seal       | 1             | 2             |
| 9   | 09 28 30 030-47    | cover      | 1             | 60            |
| 10  | 09 20 89 020-47    | handle     | 1             | 30            |
| 11  | 90 31 11 063 00 90 | pin        | 1             | 2             |
| 12  | 90 31 20 087 00-47 | plug       | 1             | 30            |
| 13  | 04 30 11 040 00 90 | fixing set | 1             | 2             |
| 14  | 04 30 04 101 00 90 | hose       | 2             | 2             |