

33 870 760



- 225mm projection
- pivotable spout 130°
- air-enriched flow and spray flow
- height of mixer 167 mm
- height up to aerator 137 mm
- hole diameter 35 mm
- fabric braided hose 1500 mm
- max. flow 8.3 l/min at 3 bar flow pressure
- lead-free
- This product can help a building meet the requirements of Green Building Rating Systems, e.g. LEED®, BREEAM®, DGNB

Intrinsic protection against back flow.

	Champagne (22kt Gold)	33 870 760-47
	Chrome	33 870 760-00
	Brushed Platinum	33 870 760-06
	Platinum	33 870 760-08
	Dark Chrome	33 870 760-19
	Brushed Durabronze (23kt Gold)	33 870 760-28
	Brushed Champagne (22kt Gold)	33 870 760-46
	Brushed Chrome	33 870 760-93
	Brushed Dark Platinum	33 870 760-99

Recommended miscellaneous

Dispenser without rosette - Champagne (22kt Gold) 82 424 970-47

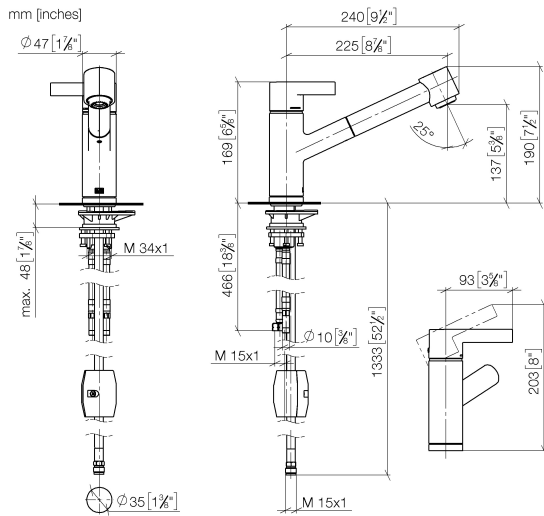


Recommended miscellaneous

Strainer waste with control handle - Champagne (22kt Gold) 10 712 970-47



33 870 760



Flow rate chart



Certificates

LGA_19873.

GDV_0400277.

Belgaqua_22_277_2
7_3.

33 870 760

Parts for other finishes can be found here: [Chrome](#)

