

33 870 760



- 225mm projection
- pivotable spout 130°
- air-enriched flow and spray flow
- height of mixer 167 mm
- height up to aerator 137 mm
- hole diameter 35 mm
- fabric braided hose 1500 mm
- max. flow 8.3 l/min at 3 bar flow pressure
- lead-free
- This product can help a building meet the requirements of Green Building Rating Systems, e.g. LEED®, BREEAM®, DGNB

Intrinsic protection against back flow.

	Brushed Chrome	33 870 760-93
	Chrome	33 870 760-00
	Brushed Platinum	33 870 760-06
	Platinum	33 870 760-08
	Dark Chrome	33 870 760-19
	Brushed Durabronze (23kt Gold)	33 870 760-28
	Brushed Champagne (22kt Gold)	33 870 760-46
	Champagne (22kt Gold)	33 870 760-47
	Brushed Dark Platinum	33 870 760-99

**Recommended miscellaneous**

**Dispenser without rosette - Brushed Chrome** 82 424 970-93

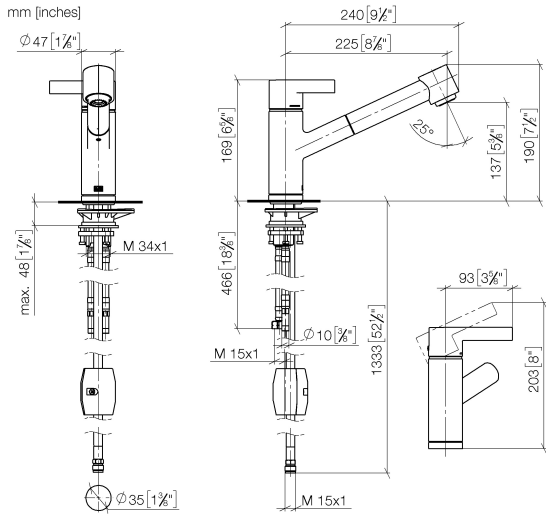


**Recommended miscellaneous**

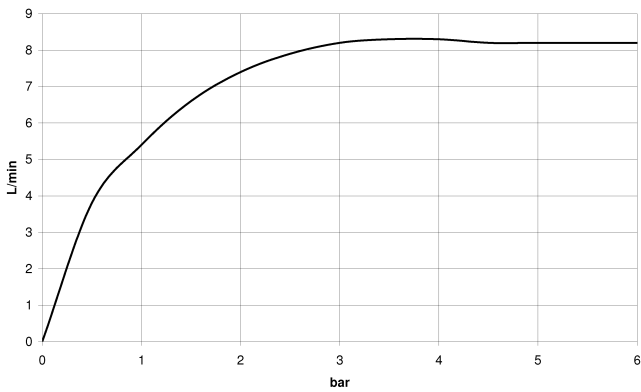
**Strainer waste with control handle - Brushed Chrome** 10 712 970-93



33 870 760



**Flow rate chart**



**Codes & Standards**

DIN 4109

EN 1717

Executive Order  
no. 1007

ISO 3822

**Ü-Zeichen**



## ENO Single-lever mixer Pull-out with spray function - Brushed Chrome

---

ENO

33 870 760

### Certificates

---

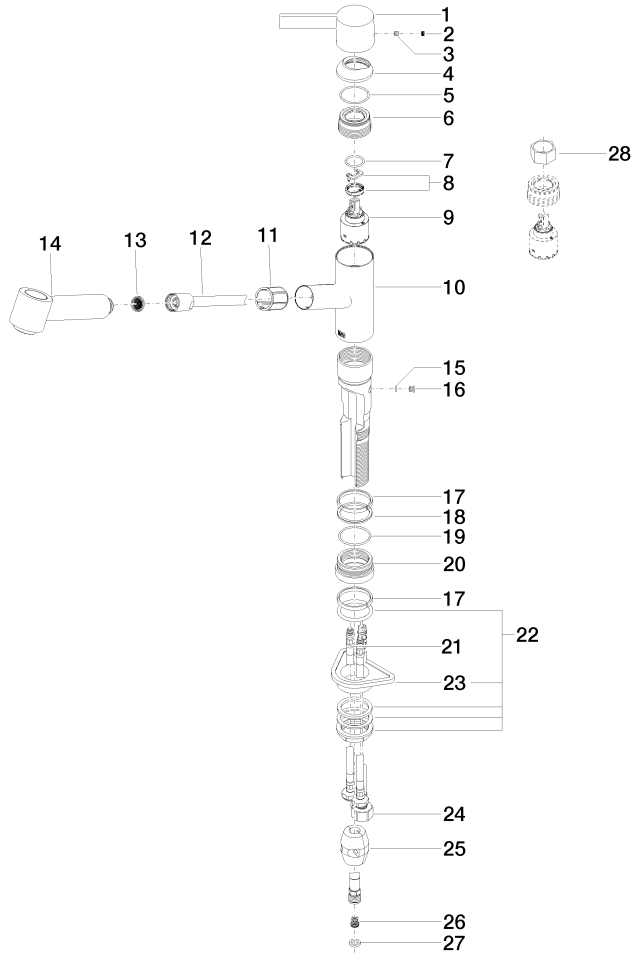
GDV\_0400

Belgaqua\_22\_277\_2 LGA\_19

33 870 760

**Product version from 5/1/2021**

Parts for other finishes can be found here: Chrome





# ENO Single-lever mixer Pull-out with spray function - Brushed Chrome

ENO

33 870 760

## Spare parts list

### Product version from 5/1/2021

No.	Item Number	Name	Quantity used	Delivery time
	09 20 76 001-93	handle	30	60