

33 870 809



- 240mm projection
- pivotable spout 360°
- Optional swivel limiter available with swivel limiter set 12 823 970 90
- air-enriched flow and spray flow
- 1800 mm metal shower hose
- sprayface with anti-scaling system
- max. flow 8 l/min at 3 bar flow pressure
- lead-free
- This product can help a building meet the requirements of Green Building Rating Systems, e.g. LEED®, BREEAM®, DGNB

Intrinsic protection against back flow.

|   |                                |               |
|---|--------------------------------|---------------|
|    | Champagne (22kt Gold)          | 33 870 809-47 |
|    | Chrome                         | 33 870 809-00 |
|    | Brushed Platinum               | 33 870 809-06 |
|    | Platinum                       | 33 870 809-08 |
|    | Durabronze (23kt Gold)         | 33 870 809-09 |
|    | Dark Chrome                    | 33 870 809-19 |
|    | Brushed Durabronze (23kt Gold) | 33 870 809-28 |
|    | Matte Black                    | 33 870 809-33 |
|    | Brushed Champagne (22kt Gold)  | 33 870 809-46 |
|   | Brushed Chrome                 | 33 870 809-93 |
|  | Brushed Dark Platinum          | 33 870 809-99 |

**Recommended miscellaneous**

**Swivel limitation set -**

12 823 970 90



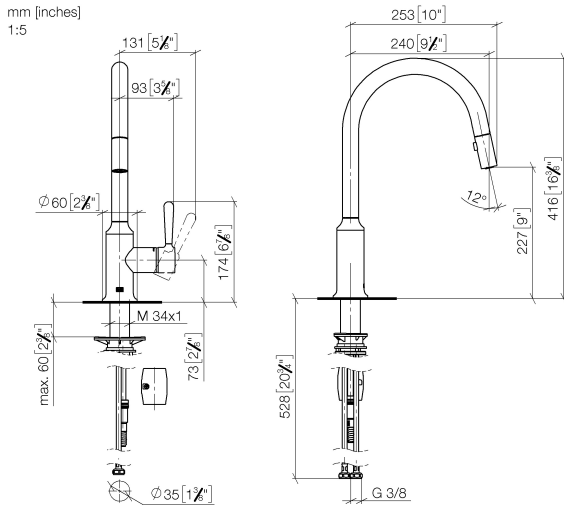
**Recommended miscellaneous**

**VAIA Dispenser with rosette - Champagne (22kt Gold)**

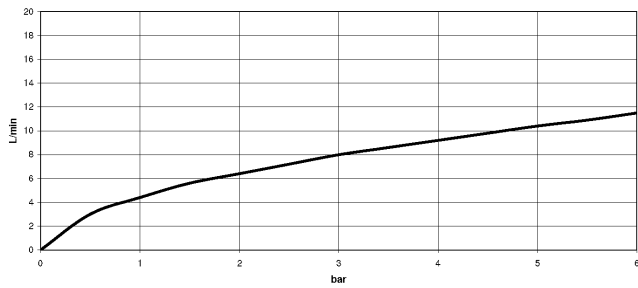
82 434 809-47



33 870 809



Flow rate chart

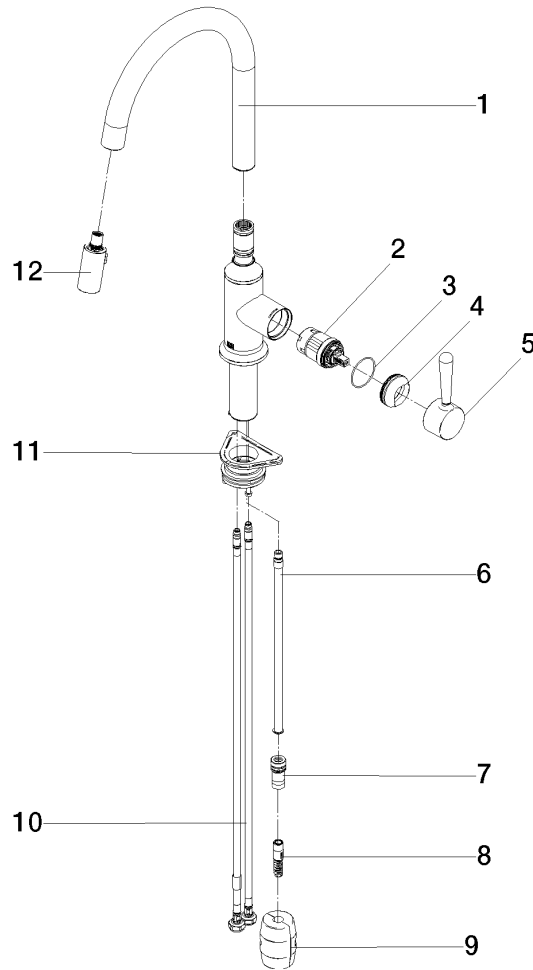


Certificates

LGA\_28657.

Belgaqua\_24-005-  
27\_3.

33 870 809



**Spare parts list**

| No. | Item Number        | Name        | Quantity used | Delivery time |
|-----|--------------------|-------------|---------------|---------------|
| 1   | 90 28 22 397 00-47 | spout       | 1             | 30            |
| 2   | 90 15 05 064 05 90 | cartridge   | 1             | 2             |
| 3   | 09 14 10 190 90    | seal        | 1             | 2             |
| 4   | 09 28 30 030-47    | cover       | 1             | 60            |
| 5   | 90 20 80 052 00-47 | handle      | 1             | 30            |
| 6   | 04 28 20 067 00 90 | pipe        | 1             | 2             |
| 7   | 90 24 03 253 00 90 | adaptor     | 1             | 2             |
| 8   | 04 30 02 120 00-85 | hose        | 1             | 30            |
| 9   | 04 21 50 010 00 90 | accessories | 1             | 2             |
| 10  | 04 30 04 101 00 90 | hose        | 2             | 2             |
| 11  | 04 30 11 040 00 90 | fixing set  | 1             | 2             |
| 12  | 90 18 40 317 00-47 | shower      | 1             | 30            |