

Concealed ceiling installation box for recessed ceiling installation with light -

35 044 970 90



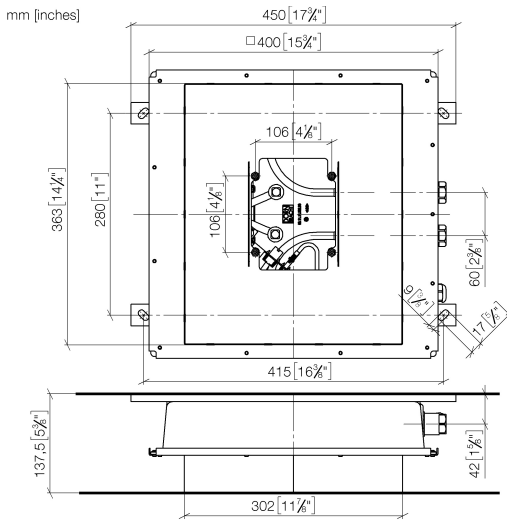
- concealed rough parts
- 2x female thread 1/2" connections
- flush-mounted installation box 360x 300 mm RAL 9003 signal white
- Electricity supply: 100-240 V AC, 50-60 Hz, 20 W
- Output 12V DC SELV / Class II
- Supply pipe 7 m
- ZigBee Light Link RGBW controller
- Provided by customer: Zigbee gateway
- Not suitable for use in a steam room.

To be provided by the customer. Zigbee Gateway!



Concealed ceiling installation box for recessed ceiling installation with light -

35 044 970 90



Codes & Standards

Scottish Water
Byelaws

UK Water Supply
Regulations

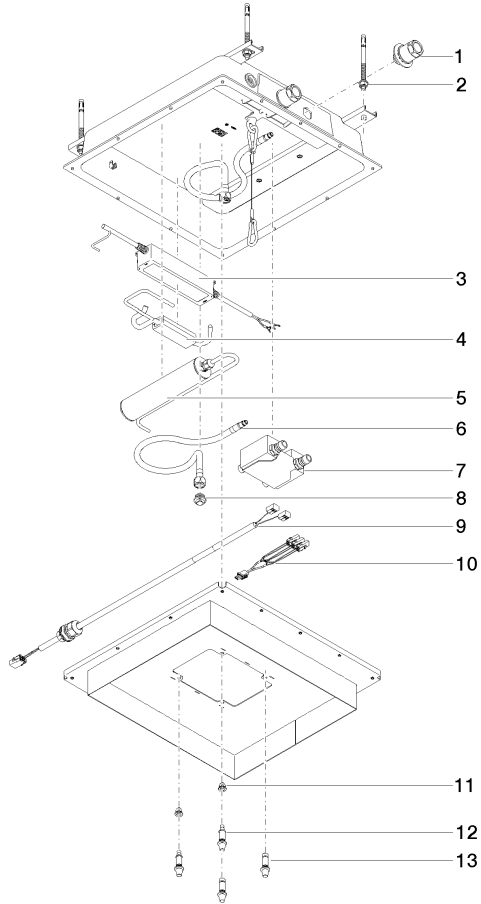
Certificates

WRAS_240502

Concealed ceiling installation box for recessed ceiling installation with light -

35 044 970 90

Product version from 4/1/2022





Concealed ceiling installation box for recessed ceiling installation with light -

35 044 970 90

Spare parts list

Product version from 4/1/2022

No.	Item Number	Name	Quantity used	Delivery time
	90 24 03 305 00 90	connection	19	2