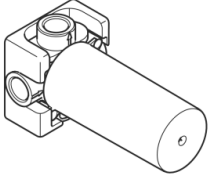


Concealed two-way diverter -

35 124 970 90

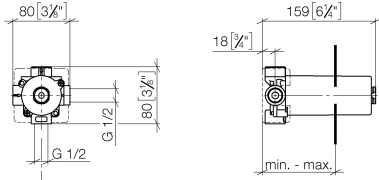


- red brass, lead-free
- 2x female thread 1/2" connections
- 2x female thread 1/2" outlet
- cut-to-length spindle and sleeve
- dust cover
- anti-water packing
- soundproofing
- WRAS 1609056

Concealed two-way diverter -

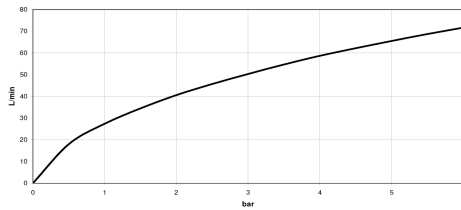
35 124 970 90

mm [inches]



| | min. | max. |
|---------------|------|------|
| Domicil | 60 | 105 |
| Source | 73 | 123 |
| Square | 73 | 123 |
| Madison | 73 | 138 |
| LULU | 73 | 146 |
| Madison Flair | 73 | 148 |
| Just | 78 | 148 |
| LaFleur | 83 | 148 |
| Supernova | 83 | 148 |
| Tara | 83 | 148 |
| Vaia | 83 | 148 |
| MEM | 108 | 148 |
| CL,1 | 108 | 148 |

Flow rate chart

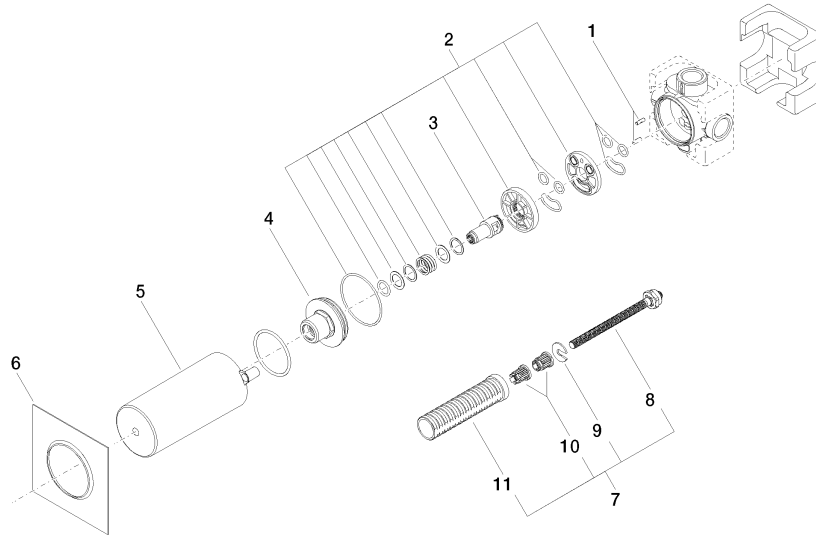


Certificates

LGA_28456.

Concealed two-way diverter -

35 124 970 90



Spare parts list

| No. | Item Number | Name | Quantity used | Delivery time |
|-----|--------------------|------------|---------------|---------------|
| 1 | 09 31 11 151 90 | pin | 1 | 2 |
| 2 | 90 30 11 085 00 90 | set | 1 | 2 |
| 3 | 09 29 06 025 90 | spindle | 1 | 2 |
| 4 | 09 21 02 124 90 | lid | 1 | 2 |
| 5 | 09 21 02 125 90 | cap | 1 | 2 |
| 6 | 09 14 03 109 90 | seal | 1 | 2 |
| 7 | 90 18 40 077 00 90 | spindle | 1 | 2 |
| 8 | 04 29 06 105 00 90 | spindle | 1 | 60 |
| 9 | 09 16 01 026 90 | ring | 1 | 2 |
| 10 | 90 12 12 002 00 90 | fixing cap | 2 | 2 |
| 11 | 90 18 40 077 01 90 | spindle | 1 | 2 |