

Showerpipe with single-lever shower mixer without hand shower - Chrome

36 112 970 Product version from 4/1/2024



- shower with fixed riser projection 450mm
- overhead shower: rain flow
- rain shower Ø 220 mm
- rain shower with anti-scale system
- max. rainshower flow 14 l/min
- height of fittings up to rain shower (bottom edge) 1010mm
- height of fittings up to top edge of elbow 1150mm
- metal shower hose 1750mm with integrated anti-twist protection
- 1/2" connection
- slide bar
- Pipe diameter 23.5 mm
- automatic diverter for fixed-riser shower/hand shower
- quick clearing
- WRAS

This article does not include a hand shower!

Intrinsic protection against back flow.

This article does not include a hand shower!

Intrinsic protection against back flow.

Required miscellaneous



Concealed wall mounting -

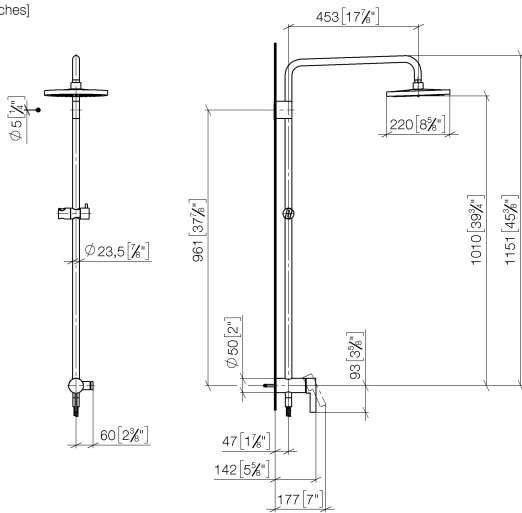
35 050 970 90

- max. recess depth mm
- min. recess depth mm

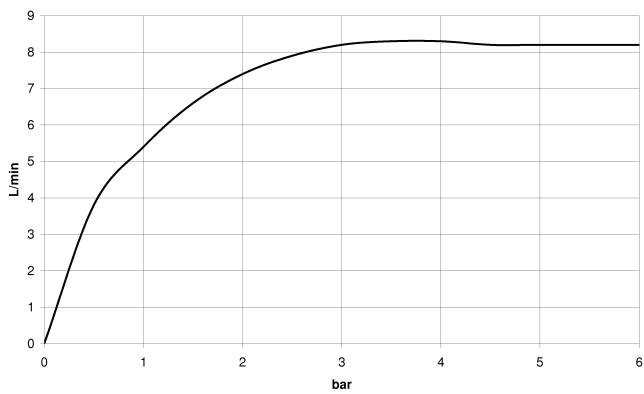
Showerpipe with single-lever shower mixer without hand shower - Chrome

36 112 970 Product version from 4/1/2024

mm [inches]
1:10



Flow rate chart



Codes & Standards

DIN 4109

EN 1717

EN 817

ISO 3822

Scottish Water
Byelaws

UK Water Supply
Regulations

Ü-Zeichen



Showerpipe with single-lever shower mixer without hand shower - Chrome

36 112 970 Product version from 4/1/2024

Certificates

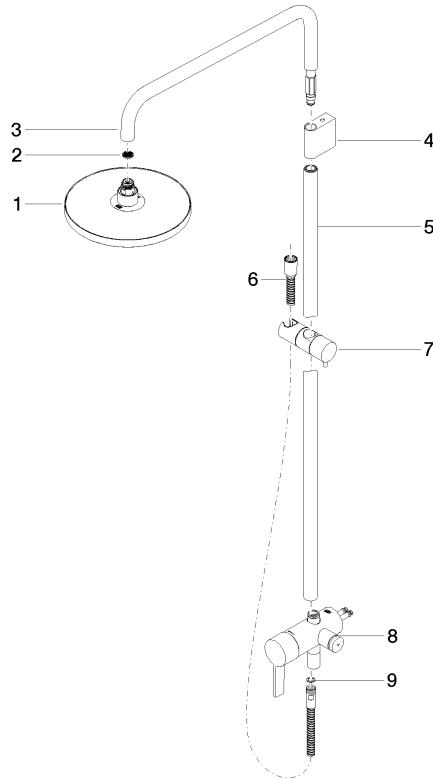
DVGW_DW-
6512DN0

Belgaqua_21-025-2 WRAS_2101

LGA_38

Showerpipe with single-lever shower mixer without hand shower - Chrome

36 112 970 Product version from 4/1/2024



Spare parts list

No.	Item Number	Name	Quantity used	Delivery time
1	04 12 05 092 00-00	shower	1	10
2	09 23 01 039 90	sieve	1	2
3	90 28 22 348 00-00	pipe	1	10
4	90 17 11 149 00-00	holder	1	10
5	04 28 22 349 00-00	pipe	1	60
6	28 322 970-00	Metal shower hose 1/2" x 3/8" x 1750 mm - Chrome	1	2
7	12 570 970-00	Slide unit - Chrome	1	10
8	90 17 01 251 00-00	connection	1	10
9	90 14 20 026 00 90	seal	1	2