

Showerpipe with single-lever shower mixer without hand shower - Chrome

IMO

36 112 970



Fits: IMO, LULU, TARA, LISSÉ, VAIA, META

- shower with fixed riser projection 450mm
- Rain shower: PURE RAIN, max. flow rate 14 l/min (at 3 bar)
- rain shower Ø 220 mm
- rain shower with anti-scale system
- height of fittings up to rain shower (bottom edge) 1010mm
- height of fittings up to top edge of elbow 1150mm
- metal shower hose 1750mm with integrated anti-twist protection
- 1/2" connection
- slide bar
- Pipe diameter 23.5 mm
- automatic diverter for fixed-riser shower/hand shower
- quick clearing
- This product can help a building meet the requirements of Green Building Rating Systems, e.g. LEED®, BREEAM®, DGNB

This article does not include a hand shower!

Intrinsic protection against back flow.

	Chrome	36 112 970-00 0050
	Chrome	36 112 970-00
	Brushed Platinum	36 112 970-06
	Brushed Platinum	36 112 970-06 0050
	Platinum	36 112 970-08
	Platinum	36 112 970-08 0050
	Dark Chrome	36 112 970-19
	Dark Chrome	36 112 970-19 0050
	Brushed Light Gold	36 112 970-27 0050
	Brushed Light Gold	36 112 970-27
	Brushed Durabronze (23kt Gold)	36 112 970-28
	Brushed Durabronze (23kt Gold)	36 112 970-28 0050
	Matte Black	36 112 970-33
	Matte Black	36 112 970-33 0050
	Brushed Bronze	36 112 970-42
	Brushed Bronze	36 112 970-42 0050
	Brushed Champagne (22kt Gold)	36 112 970-46
	Brushed Champagne (22kt Gold)	36 112 970-46 0050
	Champagne (22kt Gold)	36 112 970-47
	Champagne (22kt Gold)	36 112 970-47 0050
	Brushed Chrome	36 112 970-93
	Brushed Chrome	36 112 970-93 0050
	Brushed Dark Platinum	36 112 970-99
	Brushed Dark Platinum	36 112 970-99 0050



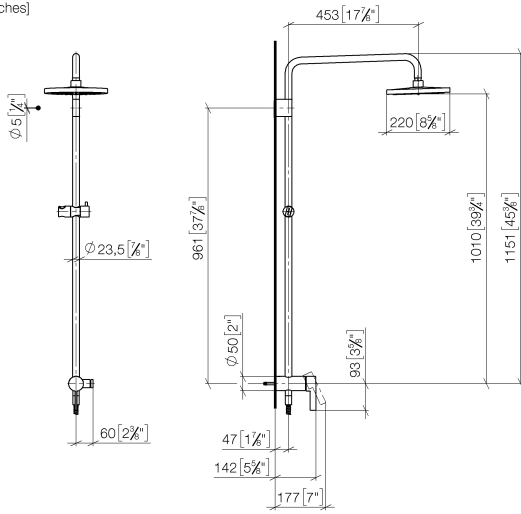
Showerpipe with single-lever shower mixer without hand shower - Chrome

IMO

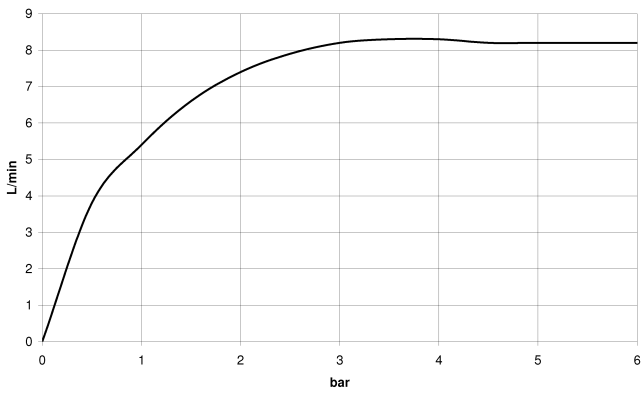
36 112 970

36 112 970

mm [inches]
1:10



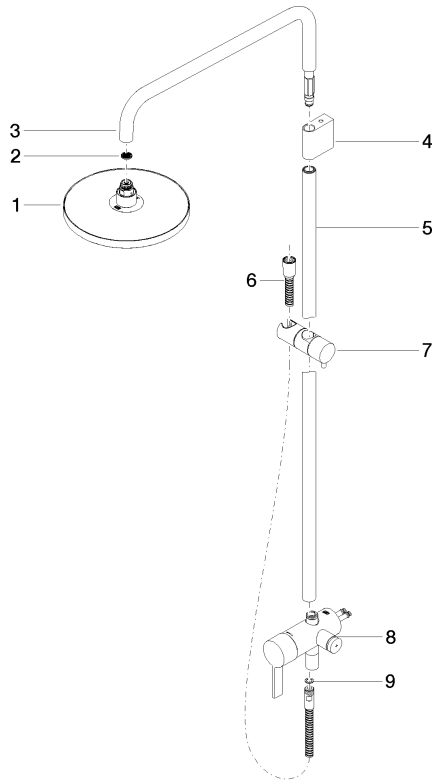
Flow rate chart



36 112 970

Product version from 7/1/2022

Parts for other
finishes can be found
here: [Chrome](#)





Showerpipe with single-lever shower mixer without hand shower - Chrome

IMO

36 112 970

Spare parts list

Product version from 7/1/2022

No.	Item Number	Name	Quantity used	Delivery time
	90 12 05 092 00-00	90120509200-00	9	10