



LULU Concealed single-lever mixer with diverter - Chrome

36 122 710



- automatic diverter
- cover plate 150 x 90 mm

	Chrome	36 122 710-00
	Brushed Platinum	36 122 710-06

Required miscellaneous



Concealed single-lever mixer with backflow preventor - 35 021 970 90
 ●max. recess depth 105 mm
 ●min. recess depth 80 mm

Required miscellaneous



Concealed single-lever mixer - 35 020 970 90
 ●max. recess depth 105 mm
 ●min. recess depth 80 mm

Recommended miscellaneous



xGRID Attachment set for integrating in the dry wall construction - 12 340 970 90

Required miscellaneous



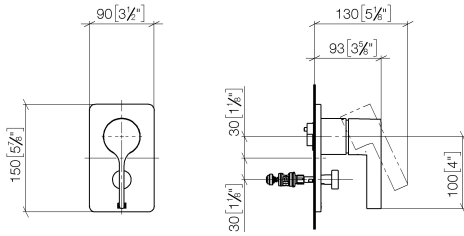
xGRID Installation track 555 mm - 12 360 970 90



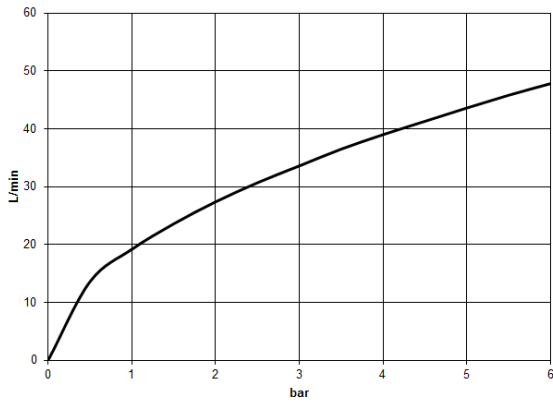
LULU Concealed single-lever mixer with diverter - Chrome

36 122 710

mm [inches]



Flow rate chart



Codes & Standards

DIN 4109

ISO 3822

Ü-Zeichen



LULU Concealed single-lever mixer with diverter - Chrome

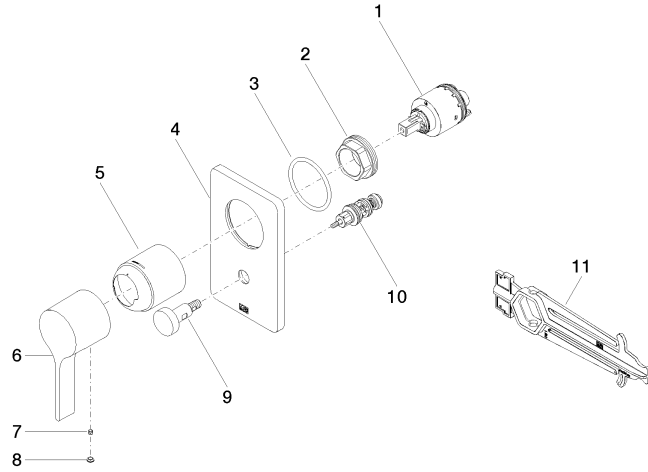
36 122 710

Certificates

LGA_29

LULU Concealed single-lever mixer with diverter - Chrome

36 122 710





LULU Concealed single-lever mixer with diverter - Chrome

36 122 710

Spare parts list

No.	Item Number	Name	Quantity used	Delivery time
	90 15 05 039 00 90	cartridge	11	2