

36 200 661



- rotary diverter
- without rosette
- handle Ø 60mm
- WRAS 2307045

| | | |
|---|-------------------------------|---------------|
|  | Matte Black | 36 200 661-33 |
|  | Chrome | 36 200 661-00 |
|  | Brushed Platinum | 36 200 661-06 |
|  | Dark Chrome | 36 200 661-19 |
|  | Light Gold | 36 200 661-26 |
|  | Brushed Light Gold | 36 200 661-27 |
|  | Brushed Bronze | 36 200 661-42 |
|  | Brushed Champagne (22kt Gold) | 36 200 661-46 |
|  | Champagne (22kt Gold) | 36 200 661-47 |
|  | Brushed Chrome | 36 200 661-93 |
|  | Brushed Dark Platinum | 36 200 661-99 |

Required miscellaneous



- Concealed two-way diverter -** 35 202 970 90
- max. recess depth 160 mm
 - min. recess depth 115 mm

36 200 661

mm [inches]



Flow rate chart

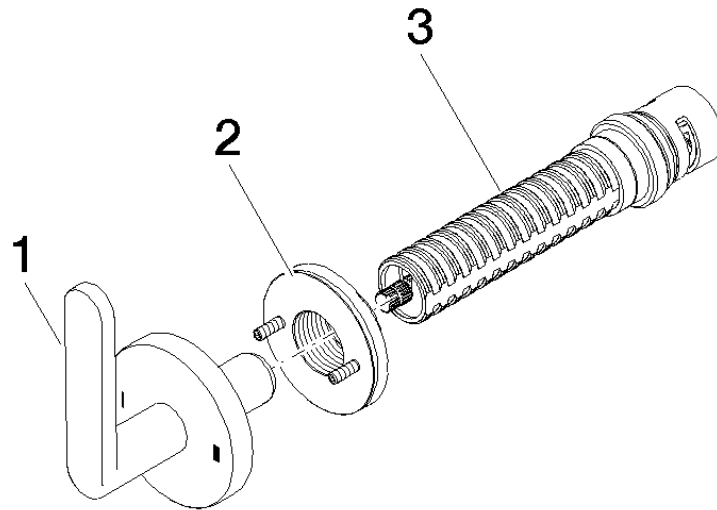


Certificates

LGA_38379.

WRAS_2307045.

36 200 661



Spare parts list

| No. | Item Number | Name | Quantity used | Delivery time |
|-----|--------------------|----------|---------------|---------------|
| 1 | 90 20 66 014 00-33 | handle | 1 | 30 |
| 2 | 90 21 02 181 00 90 | disc | 1 | 2 |
| 3 | 90 90 03 304 10 90 | diverter | 1 | 2 |