

36 503 780



- cover plate 120 x 120 mm
- temperature control handle with safety limit stop at 38°C
- thermostat cartridge

Fits: IMO, MEM, CL.1, CYO

	Chrome	36 503 780-00
	Brushed Platinum	36 503 780-06
	Platinum	36 503 780-08
	Dark Chrome	36 503 780-19
	Brushed Light Gold	36 503 780-27
	Brushed Durabronze (23kt Gold)	36 503 780-28
	Matte Black	36 503 780-33
	Brushed Champagne (22kt Gold)	36 503 780-46
	Champagne (22kt Gold)	36 503 780-47
	Brushed Chrome	36 503 780-93
	Brushed Dark Platinum	36 503 780-99

Required miscellaneous



xTOOL Concealed thermostat module without volume control - 35 503 970 90
 • max. recess depth 155 mm
 • min. recess depth 115 mm

Recommended miscellaneous



xGRID Attachment set for integrating in the dry wall construction - 12 340 970 90

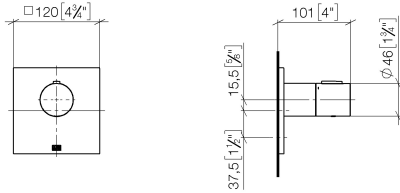
Required miscellaneous



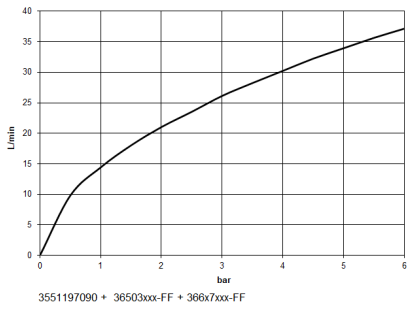
xGRID Installation track 555 mm - 12 360 970 90

36 503 780

mm [inches]



Flow rate chart



Certificates

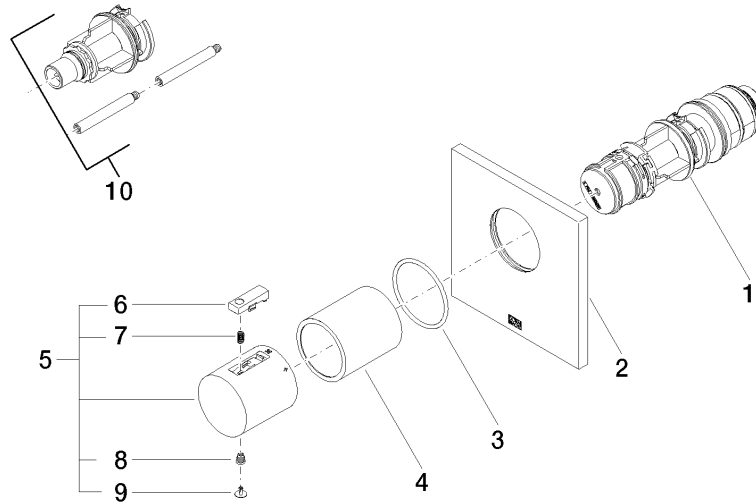
WRAS_2011026.

DVGW_DW-
6512DN0706.

LGA_29930.

LGA_29932.

36 503 780



Spare parts list

No.	Item Number	Name	Quantity used	Delivery time
1	90 15 02 063 00 90	cartridge	1	2
2	09 11 02 196-00	cover	1	60
3	90 14 10 049 00 90	seal	1	2
4	90 21 02 112 00-00	sleeve	1	10
5	90 17 33 004 00-00	handle	1	10
6	90 21 33 011 00-13	handle	1	2
7	90 16 02 027 00 90	spring	1	2
8	90 30 30 136 00 90	screw	1	2
9	90 31 20 049 00-00	plug	1	10
10	12 178 970 90	Extension 46 mm -	1	2